

Base for read/write station

U-P6-B6-V15B

- PROFIBUS DP acc. to EN 50170
- M12 round connection for supply
- M12 round connection for BUS (B-coded)
- Complete read/write functionality via the PROFIBUS DP
- Transmission of up to 7 double words, 32 bit each, in one cycle
- Connectable bus termination
- Field device with degree of protection IP67

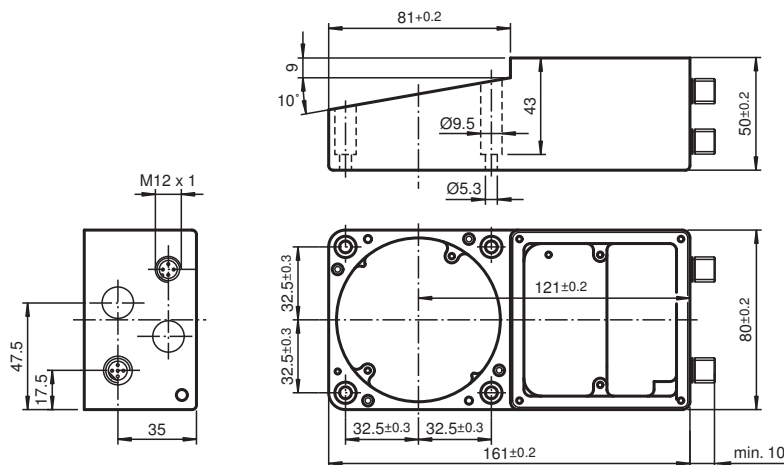
Base for PROFIBUS DP, plug-in connection



Function

The base is used in combination with an upper part, the IPT*-FP read/write station. The device is operated as a slave on the PROFIBUS DP. The device makes available the complete read/write functionality. Up to 32 bytes are transmitted per cycle. Of these, up to 7 double words, each with 32 bits, are available to the user. The rounded connector M12 for BUS and supply allows a rapid assembly.

Dimensions



Technical Data

Indicators/operating means

DIP switch	Setting the station address bus connection ON = active OFF = non-active
------------	---

Electrical specifications

Rated operating voltage	U_e	20 ... 30 V DC , ripple 10 % _{SS} , PELV
Power consumption	P_0	max. 5 W with read/write head IPT*-FP
Galvanic isolation		
Operating voltage/interface		functional insulation acc. to DIN EN 50178, rated insulation voltage 50 V _{eff}

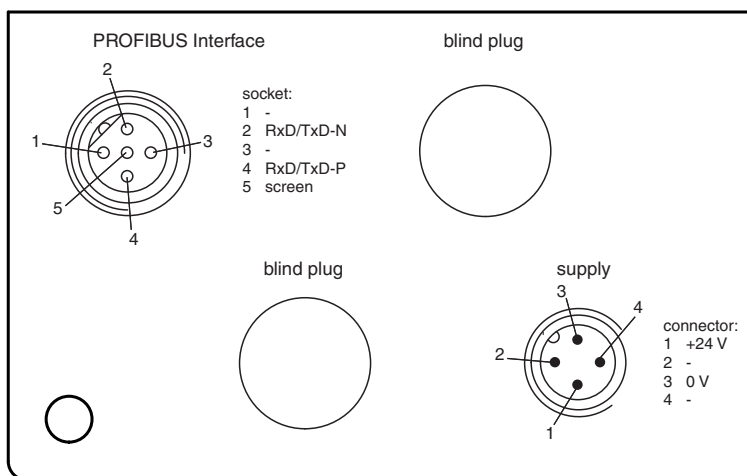
Interface

Physical	RS-485
Protocol	PROFIBUS DP acc. to EN 50170


Technical Data

Transfer rate	9.6; 19.2; 93.75; 187.5; 500; 1500 kBit/s 3; 6; 12 Mbit/s self-synchronizing
Ambient conditions	
Ambient temperature	-25 ... 70 °C (-13 ... 158 °F)
Storage temperature	-40 ... 85 °C (-40 ... 185 °F)
Climatic conditions	air humidity max. 95 %
Mechanical specifications	
Degree of protection	IP67 according to EN 60529 with IPT*-FP
Connection	4-pin, M12 x 1 connector for supply; M12 x 1 device socket, 5-pin, B-coded for PROFIBUS
Material	
Housing	aluminum, black anodized


Connection



Matching system components

	IPT1-FP	LF R/W system, fully assembled as configuration and test station
---	----------------	--

Accessories

	ICZ-TR-V15B	Terminal resistor for PROFIBUS
---	--------------------	--------------------------------