

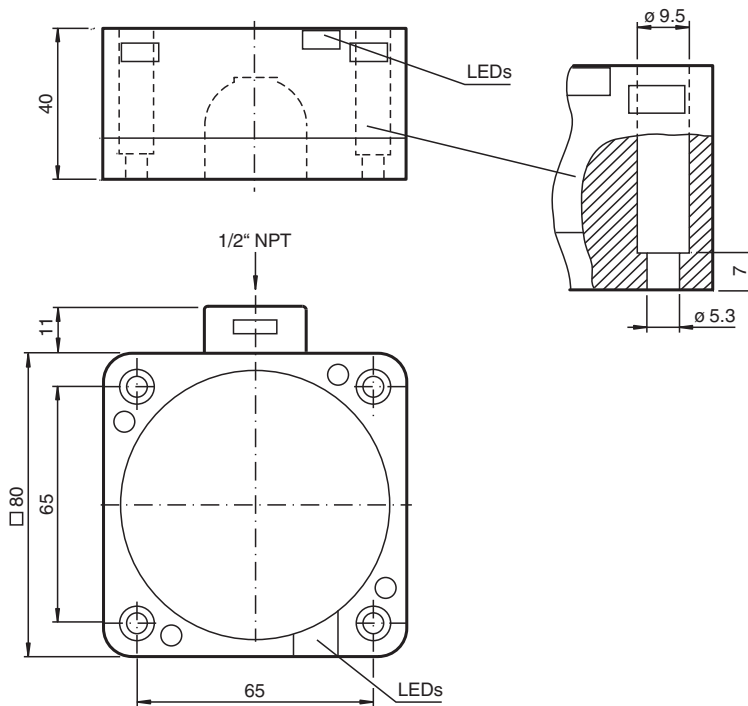


Inductive sensor NCB40-FP-W-P4

- Comfort series
- 40 mm flush
- 2-wire AC



Dimensions



Technical Data

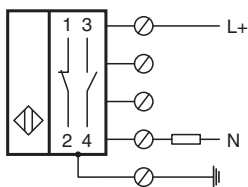
General specifications

Switching function		Normally open/closed (NO/NC)
Output type		Two-wire
Rated operating distance	s_n	40 mm
Installation		flush
Output polarity		AC
Assured operating distance	s_a	0 ... 32.4 mm
Reduction factor r_{Al}		0.25
Reduction factor r_{Cu}		0.23
Reduction factor r_{304}		0.85

Technical Data

Output type		2-wire
Nominal ratings		
Operating voltage AC	U_B	20 ... 253 V
Switching frequency	f	0 ... 20 Hz
Hysteresis	H	typ. 3 %
Voltage drop	U_d	≤ 5 V typ. 4V
Momentary current (20 ms, 0.1 Hz)		max. 4000 mA
Operating current	I_L	5 ... 500 mA
Off-state current	I_r	0.3 ... 1 mA typ. 0.7 mA
Time delay before availability	t_v	≤ 100 ms
Operating voltage indicator		LED, green
Switching state indicator		LED, yellow
Compliance with standards and directives		
Standard conformity		
Standards		EN IEC 60947-5-2
Approvals and certificates		
UL approval		cULus Listed, General Purpose
CSA approval		cCSAus Listed, General Purpose
CCC approval		Certified by China Compulsory Certification (CCC)
Ambient conditions		
Ambient temperature		-25 ... 70 °C (-13 ... 158 °F)
Mechanical specifications		
Connection type		screw terminals
Core cross section		max. 2.5 mm ²
Housing material		PBT/base of metal
Sensing face		PBT
Housing base		aluminum painted
Degree of protection		IP68
Dimensions		
Height		40 mm
Width		80 mm
Length		80 mm
Note		1) In the temperature range below 0 °C, permissible operating voltage U_b 80...253 V Safety fuse ≤ 2 A (quick-blow) according to IEC 60127-2 Sheet 1 Recommendation: after a short circuit, check that the device is functioning correctly.

Connection



Additional Information

These sensors are especially designed for embeddable mounting in conveyor floors. Due to its precise location in metal base plates the sensor is afforded a high degree of mechanical protection. No clearance is required between the sensor and the base plate, avoiding the need for protective guarding to prevent possible foot injury.

The large sensing range ensures positive detection, and thus provides consistent control and monitoring of the conveyor.

