

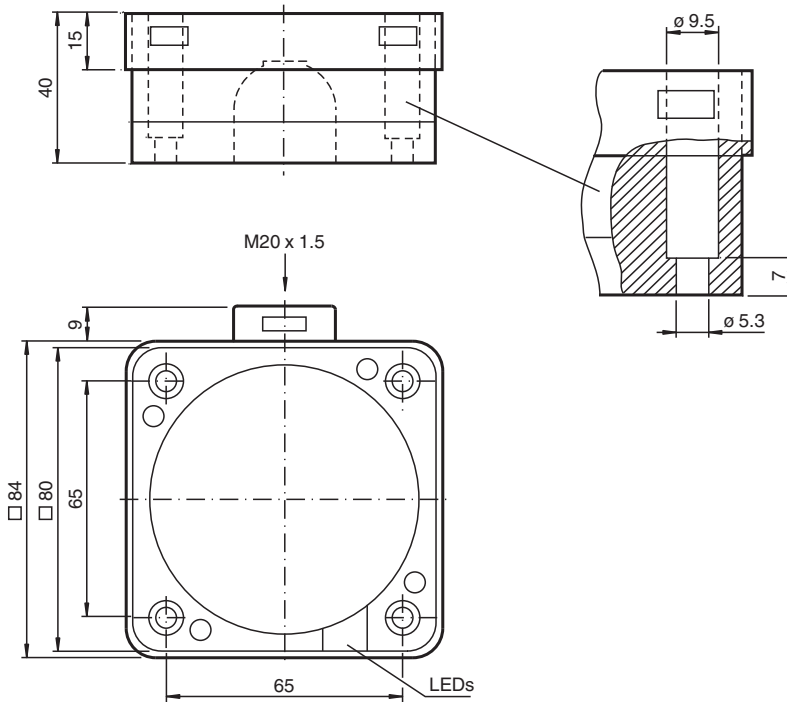
Inductive sensor NCB40-FP-Z2-P1



■ 40 mm flush



Dimensions



Technical Data

General specifications

| | | |
|----------------------------|-------|------------------------------|
| Switching function | | Normally open/closed (NO/NC) |
| Output type | | Two-wire |
| Rated operating distance | s_n | 40 mm |
| Installation | | flush |
| Output polarity | | DC |
| Assured operating distance | s_a | 0 ... 32.4 mm |
| Actual operating distance | s_r | 36 ... 44 mm typ. 40 mm |
| Reduction factor r_{Al} | | 0.35 |
| Reduction factor r_{Cu} | | 0.35 |

Release date: 2025-06-05 Date of issue: 2025-06-05 Filename: 180625_eng.pdf

Technical Data

| | | |
|---|-------|--|
| Reduction factor r_{304} | | 0.8 |
| Output type | | 2-wire |
| Nominal ratings | | |
| Operating voltage | U_B | 10 ... 60 V |
| Switching frequency | f | 0 ... 50 Hz |
| Hysteresis | H | 0 ... 20 % typ. 5 % |
| Reverse polarity protection | | reverse polarity tolerant |
| Short-circuit protection | | pulsing |
| Voltage drop | U_d | ≤ 6 V |
| Operating current | I_L | 2 ... 200 mA |
| Off-state current | I_r | 0.4 ... 1 mA typ. 0.6 mA |
| Time delay before availability | t_v | ≤ 300 ms |
| Switching state indicator | | LED, yellow |
| Compliance with standards and directives | | |
| Standard conformity | | |
| Standards | | EN IEC 60947-5-2 |
| Approvals and certificates | | |
| UL approval | | cULus Listed, General Purpose |
| CCC approval | | Certified by China Compulsory Certification (CCC) |
| Ambient conditions | | |
| Ambient temperature | | -25 ... 70 °C (-13 ... 158 °F) |
| Storage temperature | | -25 ... 85 °C (-13 ... 185 °F) |
| Mechanical specifications | | |
| Connection type | | screw terminals |
| Information for connection | | A maximum of two conductors with the same core cross section may be mounted on one terminal connection! tightening torque 1.2 Nm + 10 % |
| Core cross section | | up to 2.5 mm ² |
| Minimum core cross-section | | without wire end ferrules 0.5 mm ² , with connector sleeves 0.34 mm ² |
| Maximum core cross-section | | without wire end ferrules 2.5 mm ² , with connector sleeves 1.5 mm ² |
| Housing material | | PBT |
| Sensing face | | PBT |
| Housing base | | PBT |
| Degree of protection | | IP67 |
| Dimensions | | |
| Height | | 40 mm |
| Width | | 84 mm |
| Length | | 84 mm |

Connection

