

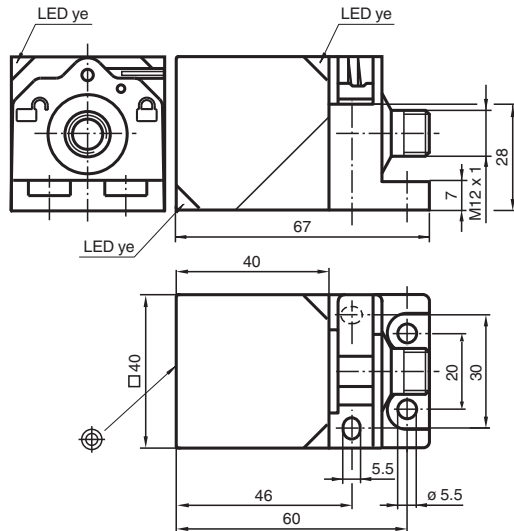


Inductive sensor NBN40-L2-Z4-V1

- 40 mm non-flush
- Sensor head bidirectional and rotatable
- 2-wire DC
- Quick mounting bracket



Dimensions



Technical Data

General specifications

Switching function		Normally open (NO)
Output type		Two-wire
Rated operating distance	s_n	40 mm
Installation		non-flush
Output polarity		DC
Assured operating distance	s_a	0 ... 32.4 mm
Actual operating distance	s_r	36 ... 44 mm
Reduction factor r_{Al}		0.33
Reduction factor r_{Cu}		0.31
Reduction factor r_{304}		0.75
Reduction factor r_{Brass}		0.41
Output type		2-wire

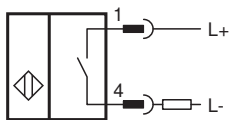
Nominal ratings

Operating voltage	U_B	3.8 ... 30 V DC
-------------------	-------	-----------------

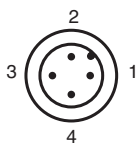
Technical Data

Switching frequency	f	0 ... 30 Hz
Hysteresis	H	typ. 5%
Reverse polarity protection		reverse polarity protected
Short-circuit protection		pulsing
Voltage drop	U_d	≤ 3.8 V
Voltage drop at I_L		
Voltage drop $I_L = 100$ mA, switching element on	U_d	... 3.8 V
Operating current	I_L	2 ... 100 mA
Off-state current	I_r	0 ... 0.5 mA
Switching state indicator		LED, yellow
Compliance with standards and directives		
Standard conformity		
Standards		EN IEC 60947-5-2
Approvals and certificates		
UL approval		cULus Listed, General Purpose
CCC approval		CCC approval / marking not required for products rated ≤ 36 V
Ambient conditions		
Ambient temperature		-25 ... 70 °C (-13 ... 158 °F)
Storage temperature		-25 ... 85 °C (-13 ... 185 °F)
Mechanical specifications		
Connection type		Connector plug
Housing material		PA
Sensing face		PA
Degree of protection		IP69K
Connector		
Threading		M12 x 1
Number of pins		4
Mass		159 g
Dimensions		
Height		40 mm
Width		40 mm
Length		67 mm

Connection



Connection Assignment



Connection Assignment

Wire colors in accordance with EN 60947-5-2

1		BN	(brown)
2		WH	(white)
3		BU	(blue)
4		BK	(black)