

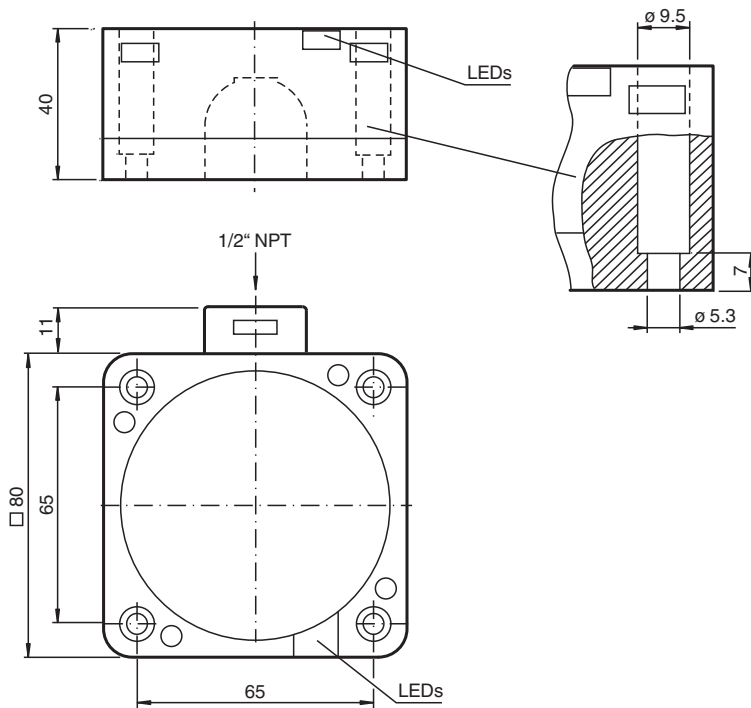


## Inductive sensor NCN50-FP-W-P2

■ 50 mm non-flush



### Dimensions



### Technical Data

#### General specifications

Switching function		Normally open/closed (NO/NC)
Output type		Two-wire
Rated operating distance	$s_n$	50 mm
Installation		non-flush
Output polarity		AC
Assured operating distance	$s_a$	0 ... 40.5 mm
Reduction factor $r_{Al}$		0.4
Reduction factor $r_{Cu}$		0.3
Reduction factor $r_{304}$		0.85

Release date: 2025-06-05 Date of issue: 2025-06-05 Filename: 182959\_eng.pdf

## Technical Data

Output type		2-wire
<b>Nominal ratings</b>		
Operating voltage	$U_B$	20 ... 253 V
Switching frequency	f	0 ... 20 Hz
Hysteresis	H	typ. 3 %
Short-circuit protection		no
Voltage drop	$U_d$	≤ 5 V typ. 4V
Momentary current (20 ms, 0.1 Hz)		max. 4000 mA
Operating current	$I_L$	5 ... 500 mA
Off-state current	$I_r$	0.3 ... 1 mA typ. 0.7 mA
Time delay before availability	$t_v$	≤ 100 ms
Operating voltage indicator		LED, green
Switching state indicator		LED, yellow
<b>Compliance with standards and directives</b>		
Standard conformity		
Standards		EN IEC 60947-5-2
<b>Approvals and certificates</b>		
UL approval		cULus Listed, General Purpose
CSA approval		cCSAus Listed, General Purpose
CCC approval		Certified by China Compulsory Certification (CCC)
<b>Ambient conditions</b>		
Ambient temperature		-25 ... 70 °C (-13 ... 158 °F)
<b>Mechanical specifications</b>		
Connection type		screw terminals
Core cross section		up to 2.5 mm <sup>2</sup>
Housing material		PBT
Sensing face		PBT
Housing base		PBT
Degree of protection		IP68
Tightening torque, housing screws		1 Nm
Dimensions		
Height		40 mm
Width		80 mm
Length		80 mm
Note		1) In the temperature range below 0 °C, permissible operating voltage $U_b$ 80...253 V Safety fuse ≤ 2 A (quick-blow) according to IEC 60127-2 Sheet 1 Recommendation: after a short circuit, check that the device is functioning correctly.

## Connection

