



# Diffuse mode sensor RLK31-8-1200-RT/31/115

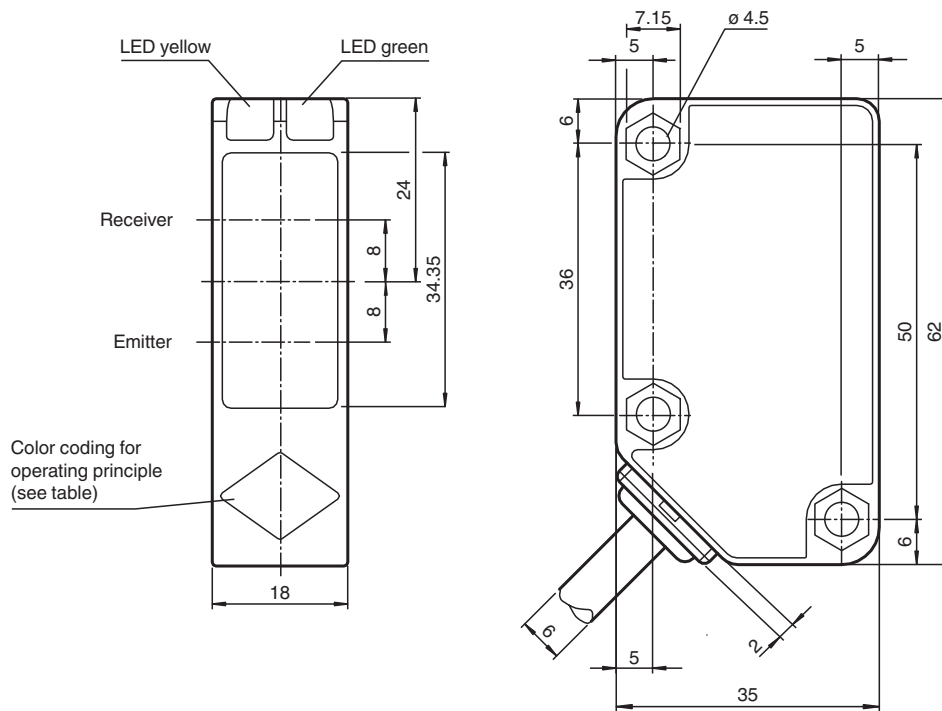


- Operating voltage AC / DC
- Highly visible LED
- Relay output, 1 potential free alternator
- Compact and stable housing
- Protection class II

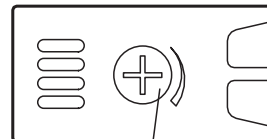
Diffuse mode sensor, plastic housing, 1200 mm adjustable detection range, AC/DC version, red light, light on, relay contact output, fixed cable



## Dimensions



Operating principle	color
Retroreflective sensor	green
Retroreflective sensor without polarization filter	blue
Diffuse type sensor	white
Thru-beam sensor	grey
Convergent beam sensor	red



Sensing range adjustment

## Technical Data

### General specifications

Detection range 0 ... 1200 mm adjustable

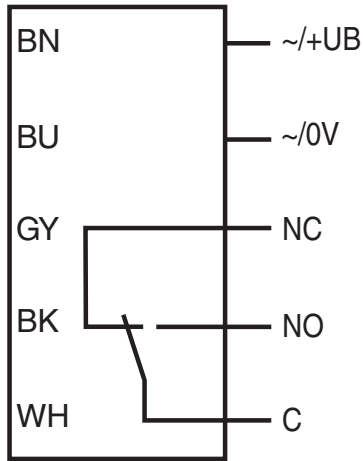
Release date: 2023-12-28 Date of issue: 2023-12-28 Filename: 183068\_eng.pdf

## Technical Data

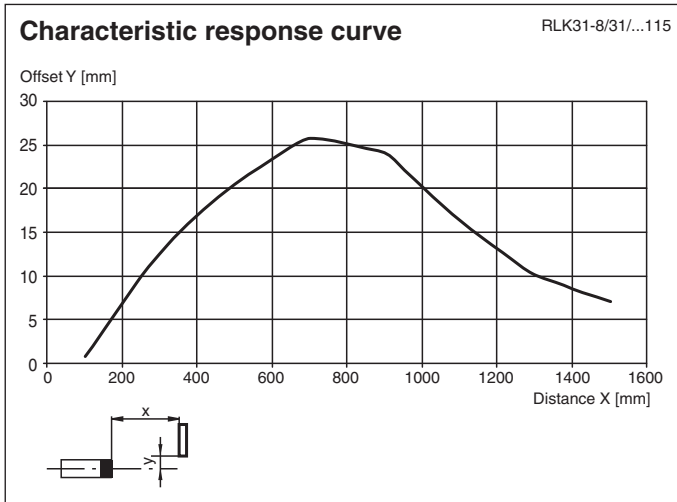
Detection range max.		0 ... 1200 mm
Reference target		standard white, 100 mm x 100 mm
Light source		LED
Light type		modulated visible red light , 630 nm
Polarization filter		no
Diameter of the light spot		approx. 25 mm at a distance of 1.2 m
Opening angle		2 °
Ambient light limit		50000 Lux ; according to EN 60947-5-2
<b>Functional safety related parameters</b>		
MTTF <sub>d</sub>		790 a
Mission Time (T <sub>M</sub> )		20 a
Diagnostic Coverage (DC)		0 %
<b>Indicators/operating means</b>		
Operation indicator		LED green: power on
Function indicator		LED yellow, lights up with receiver lit
Control elements		Sensing range adjuster
<b>Electrical specifications</b>		
Operating voltage	U <sub>B</sub>	24 ... 240 V AC 12 ... 240 V DC
No-load supply current	I <sub>0</sub>	≤ 40 mA
Power consumption	P <sub>0</sub>	≤ 2 VA
<b>Output</b>		
Switching type		light-on
Signal output		Relay, 1 alternator
Switching voltage		max. 240 V AC/DC
Switching current		max. 3 A
Switching power		DC: max. 150 W AC: max. 750 VA
Switching frequency	f	20 Hz
Response time		≤ 25 ms
<b>Conformity</b>		
Product standard		EN 60947-5-2
<b>Approvals and certificates</b>		
Protection class		II , rated voltage ≤ 250 V AC with pollution degree 1-2 according to IEC 60664-1 Output circuit basis insulation of input circuit according to EN 50178, rated insulation voltage 240 V AC
CCC approval		Certified by China Compulsory Certification (CCC)
<b>Ambient conditions</b>		
Ambient temperature		-25 ... 55 °C (-13 ... 131 °F)
Storage temperature		-40 ... 70 °C (-40 ... 158 °F)
<b>Mechanical specifications</b>		
Degree of protection		IP67
Connection		2 m fixed cable , 5-wire
<b>Material</b>		
Housing		Polycarbonate
Optical face		PMMA
Mass		155 g
<b>Dimensions</b>		
Height		62 mm
Width		18 mm
Depth		35 mm

### Connection Assignment

Option:



### Characteristic Curve



Release date: 2023-12-28 Date of issue: 2023-12-28 Filename: 183068\_eng.pdf