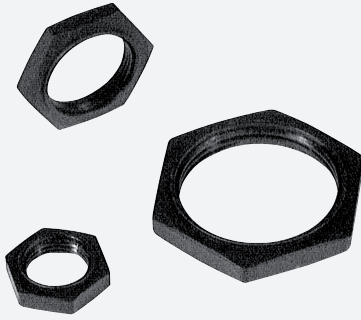


Mounting aid M30K-VE

■ For insulated mounting

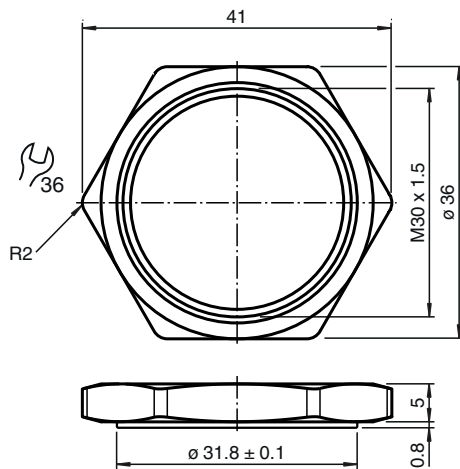


Plastic nuts with centering ring for the vibration-free mounting of cylindrical sensors

Function

Plastic nuts with centering ring for the vibration-free mounting of cylindrical sensors. These plastic nuts must be used in applications where a sensor is to be screwed into the front third of the housing sleeve and operated at temperatures of $< 0^{\circ}\text{C}$.

Dimensions



Technical Data

Mechanical specifications

Material	Polyamide (PA)
Construction type	Threading M30 , wrench size 36

General information

Packing unit	2 item(s)
--------------	-----------

Mounting

