



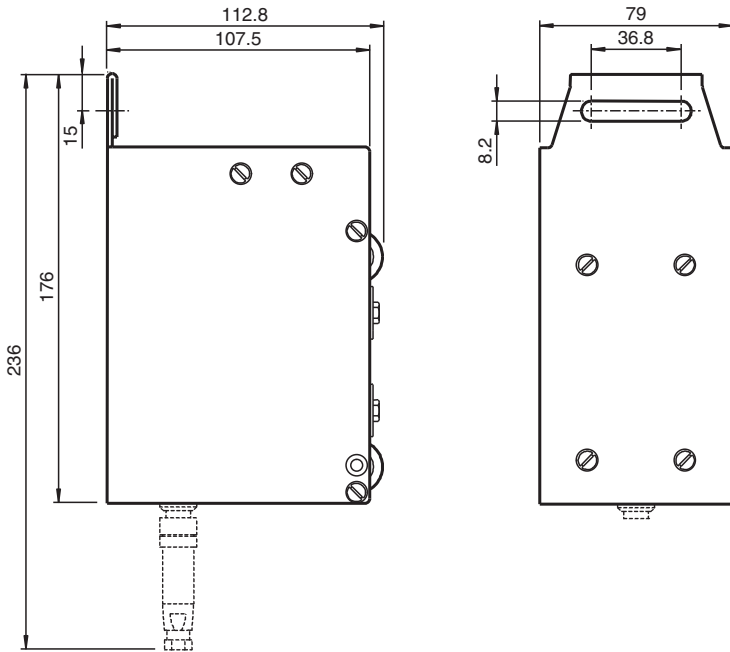
WCS2 aluminum profile system

WCS2-GT09-P1-C

- Ensures the optimum alignment of reading head and code rail
- With prefitted mounting plate for reading head
- Cleaning brushes can be applied
- Powder coated
- Plastic rollers

WCS2 guiding trolley

Dimensions



Technical Data

General specifications

Passage speed	v	≤ 8 m/s
---------------	---	---------

Ambient conditions

Operating temperature	-40 ... 70 °C (-40 ... 158 °F)
-----------------------	--------------------------------

Mechanical specifications

Bending radius	≥ 1000 mm
Material	Metal sheet (steel), zinc-plated Plastic rollers
Mass	1000 g
Coating	powder coated , 100 µm

Release date: 2025-03-17 Date of issue: 2025-03-17 Filename: 184047_eng.pdf