

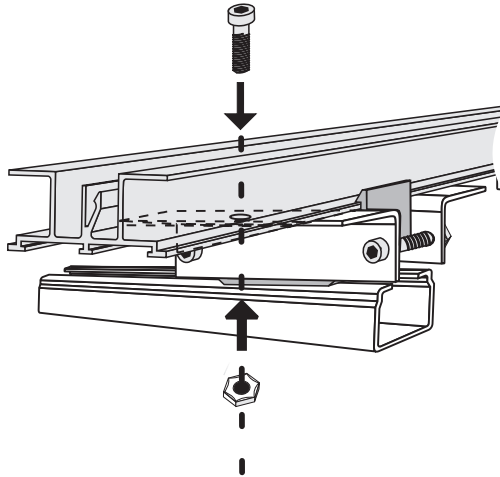
WCS2 aluminum profile system

WCS2-LB1-C

- Easy setting of fixed points
- Powder coated

WCS2 locking bracket

Dimensions



Technical Data

Mechanical specifications

Material	Metal sheet (steel), zinc-plated
Mass	50 g
Coating	powder coated , 100 µm

Release date: 2025-03-17 Date of issue: 2025-03-17 Filename: 184049_eng.pdf

Function

To prevent the aluminium profile rails slipping in the rail holders when installed horizontally, a locking bracket is necessary. The locking bracket WCS2-LB1 is fitted around a rail holder in the middle of the runway. During installation, bracket and aluminium profile are joined with the screw supplied. To do this, the aluminium profile must be drilled through at one point (drill 7 mm).