



## WCS2 profile rail

### WCS2-PS1

- Rapid installation
- Holds both, laminate and stainless steel code rails
- Long suspension distance
- All mounting orientations are possible
- Required, if guide trolleys are used

## WCS2 profile rail

### Function

A special aluminum profile system has been developed for quick installation of the WCS guide trolley and plastic laminate or stainless steel WCS code rails. The aluminum profile rail is designed for WCS2 and WCS3 Outdoor guide trolleys and code rails. The guide trolley ensures optimal positioning of the read head in relation to the code rail and compensates for tolerances between the vehicle and the WCS system. It also isolates the read head from vehicle vibration. The aluminum profile system can be installed in any position. The profile rails are saw to a 45° miter at the ends. The aluminum profile rails are also available powder-coated (-C) and can be supplied in curved sections on request.

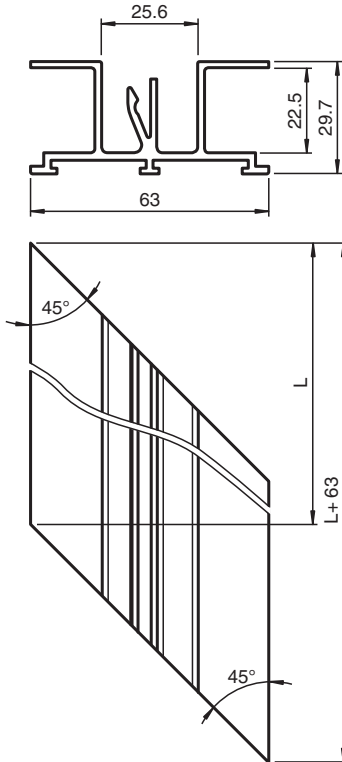
#### Grounding the aluminum profile

Any aluminum profile track assembly must include a low-resistance connection to the system ground. If the profile track's length exceeds 40 m (131 ft), it must be grounded twice at the beginning and end points.

#### Note

For more information, see mechanical manual.

### Dimensions



Release date: 2024-11-29 Date of issue: 2024-11-29 Filename: 184055\_eng.pdf

**Technical Data****Ambient conditions**

Operating temperature	-40 ... 70 °C (-40 ... 158 °F)
-----------------------	--------------------------------

**Mechanical specifications**

Length	L	1000 mm ... 5000 mm
Bending radius		≥ 1000 mm
Material		Aluminum
Thermal expansion coefficient		2.4 x 10 <sup>-5</sup> / K
Mass		1000 g / m