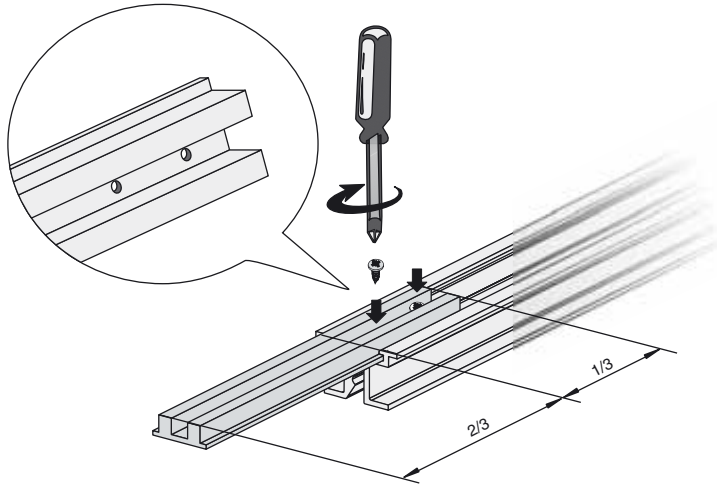




Dimensions



Model number

WCS3-MC1

Joint

Features

- Connector for aluminum profile rails WCS3-PS1

Matching system components

WCS3-PS1

WCS3 profile rail

Technical data

Mechanical specifications

Material	Aluminum
Mass	100 g
Dimensions	(W x H x D) : 8 mm x 20 mm x 175 mm

Notes

Connectors are necessary for joining the aluminum profile rails. Each connector (WCS3-MC1) consists of a 170 mm long aluminium extruded section and two selftapping screws M3 x 4.5 mm. The connector is pushed into the bottom grooves in the two profile rails to be joined. Then the screws are screwed into the holes (1.8 mm in diameter). The tips of the screws are pressed into the aluminium profile and hold the connector down.