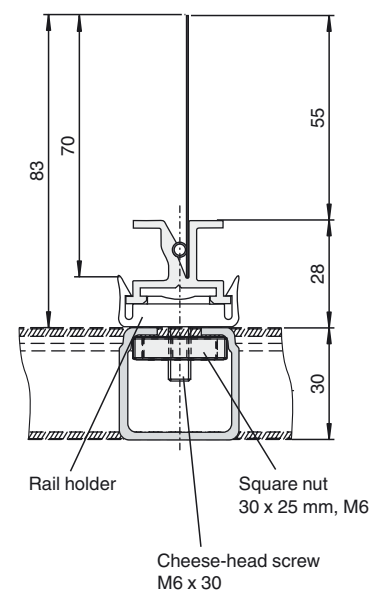
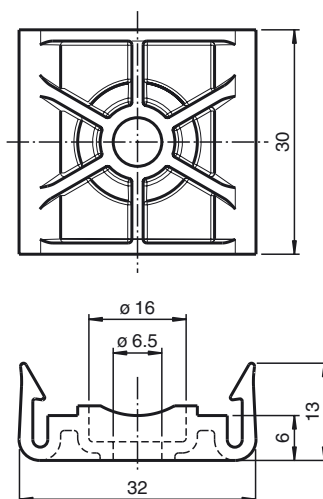




Dimensions



Model number

WCS3-MH2

WCS3 holder for C profile

Features

- Profile rail simply snap-on
- UV resistant

Matching system components

WCS3-PS1

WCS3 profile rail

Technical data

Ambient conditions

Ambient temperature -40 ... 80 °C (-40 ... 176 °F)

Mechanical specifications

Material POM

Mass 20 g

Notes

Rail holders, into which the profile rail is clipped, are available for rapid installation of the aluminium profile rail. The rail holders are available in three different versions.

The screw-on holder WCSx-MH1 is bolted to the substructure, the holder for fitting in a C profile WCSx-MH2 is designed for installation in a C profile rail (30 mm x 32 mm). The holder WCSx-MH comes without any mounting elements.