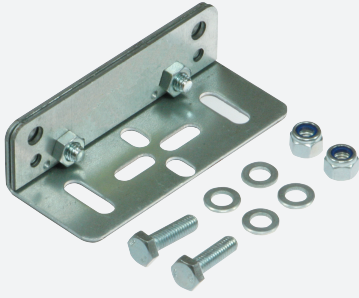


WCS mounting bracket system

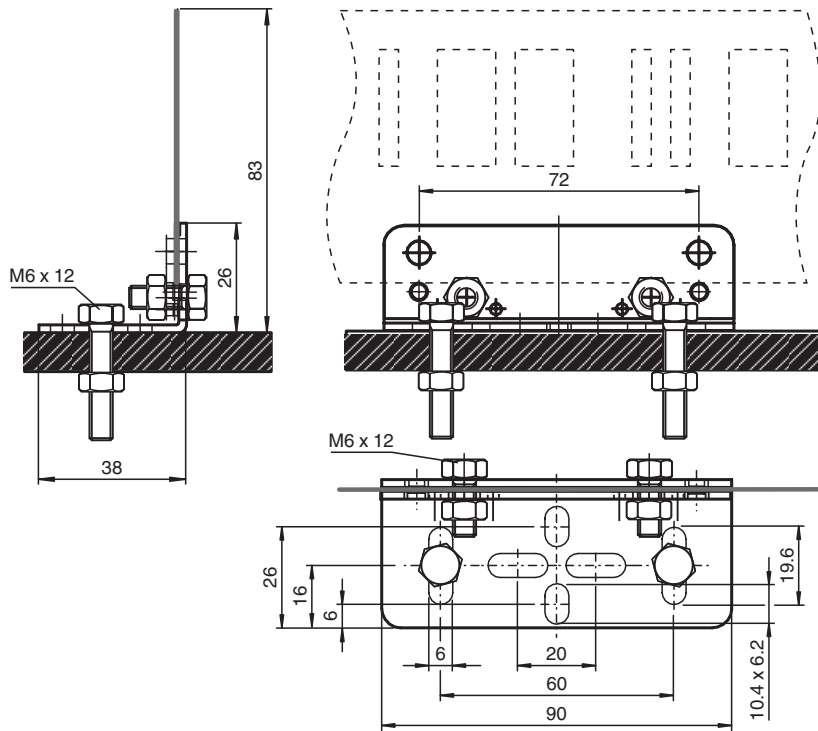
WCS-MB1



- Mounting bracket for code rail, straight
- Supplied with M6 mounting screws

Mounting bracket for bolt connection, straight

Dimensions



Technical Data

Ambient conditions

Ambient temperature -40 ... 100 °C (-40 ... 212 °F)

Mechanical specifications

Material thickness 2 mm

Material Metal sheet (steel), zinc-plated

Mass 125 g (without fastening screws)