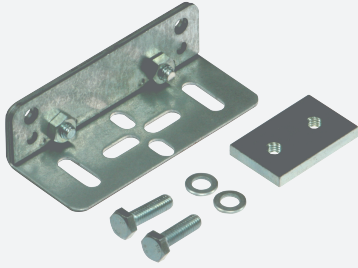


WCS mounting bracket system

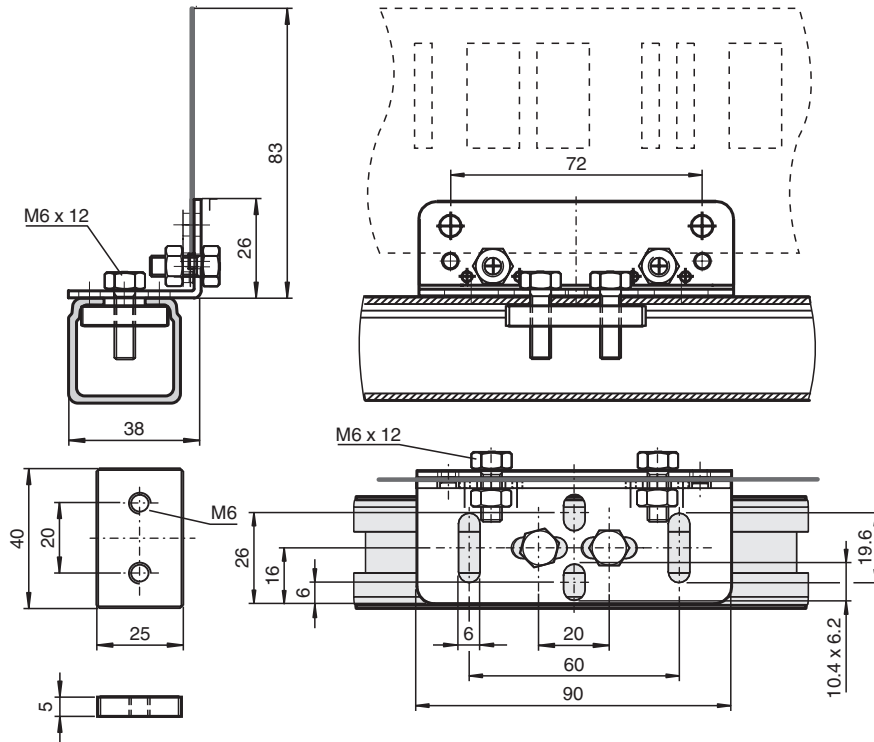
WCS-MB2-C



- Mounting bracket for code rail, straight
- Installation in C profile rail 30 mm x 32 mm
- Powder coated

Mounting bracket for C profile, straight section

Dimensions



Technical Data

Ambient conditions

Ambient temperature -40 ... 100 °C (-40 ... 212 °F)

Mechanical specifications

Material thickness 2 mm

Material Metal sheet (steel), zinc-plated , powder coated

Mass 125 g (without fastening screws)