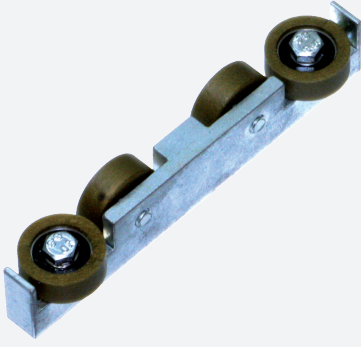


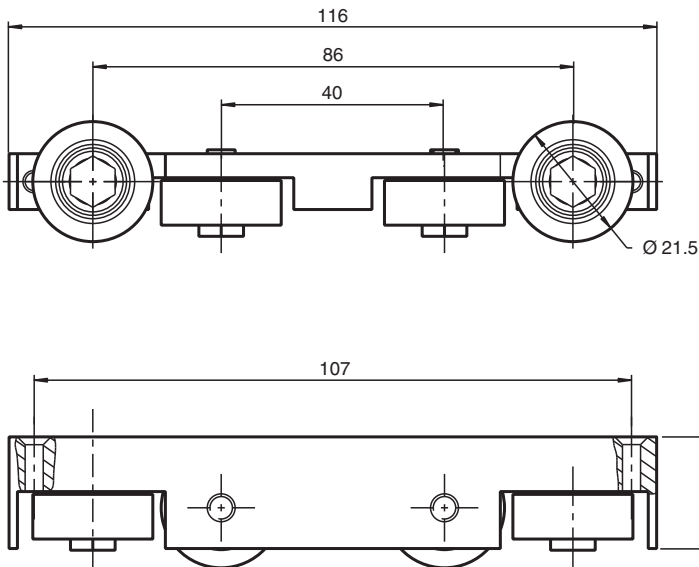
Guide bar WCS2-GT-WD-P1



- Ensures the optimum alignment of reading head and code rail
- Plastic rollers

Guide bar with plastic guide rollers, aluminum profile system WCS2

Dimensions



Technical Data

Mechanical specifications

Material	galvanized steel Plastic rollers
Mass	256 g

Release date: 2025-05-05 Date of issue: 2025-05-05 Filename: 184321_eng.pdf