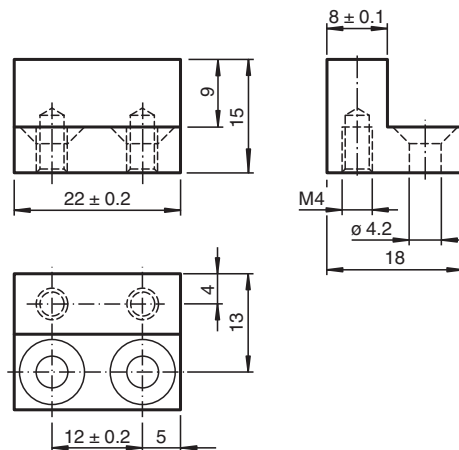




Damping element BT-F90-G

Damping element for sensors of type F90, F112, and F166; front hole

Dimensions



Technical Data

Mechanical specifications

Material	Steel ST37 / 1.0037
Mass	20 g