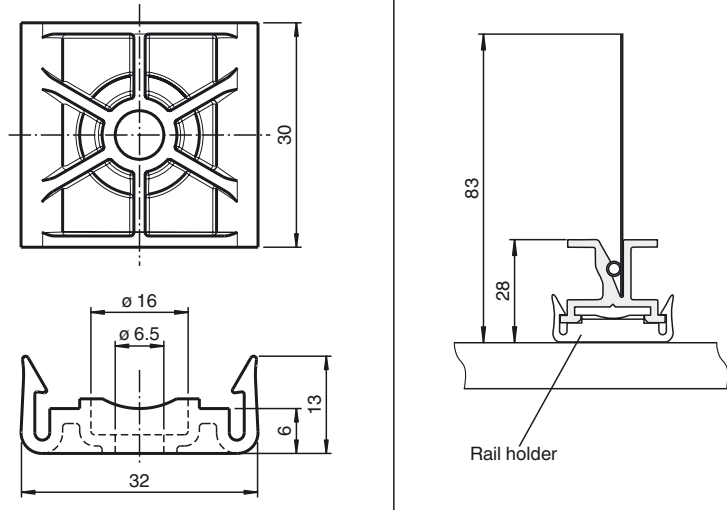




Dimensions



Model number

WCS3-MH

WCS3 screw-on holder

Features

- Holder for aluminum profile rails WCS3-PS1
- Supplied with M6 mounting screws
- UV resistant

Technical data

Ambient conditions

Ambient temperature -40 ... 80 °C (-40 ... 176 °F)

Mechanical specifications

Material POM
Mass 20 g

Notes

Rail holders, into which the profile rail is clipped, are available for rapid installation of the aluminium profile rail. The rail holders are available in three different versions.

The screw-on holder WCSx-MH1 is bolted to the substructure, the holder for fitting in a C profile WCSx-MH2 is designed for installation in a C profile rail (30 mm x 32 mm). The holder WCSx-MH comes without any mounting elements.