

# Weather protection cover RMS Weather Cap

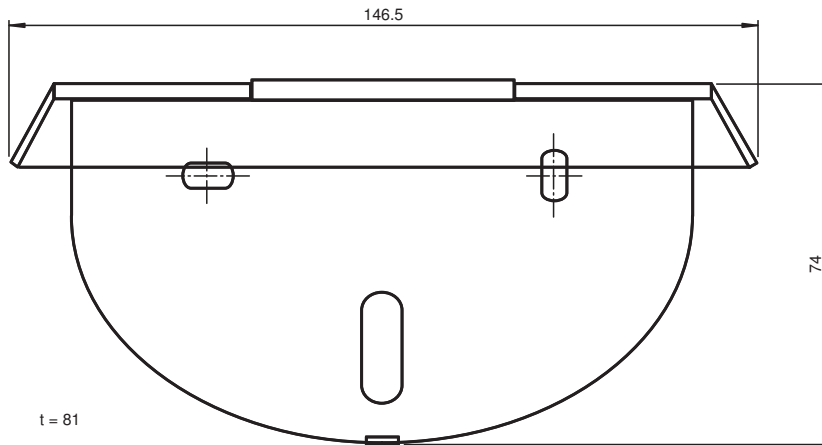


- Roof mounting- weather cap set for simple mounting on roofs and exposed positions
- Protection from adverse effects of weather such as rain, snow, etc.
- Installation without tools

All-weather hood for RMS series microwave sensors, for ceiling and wall installation



## Dimensions



## Technical Data

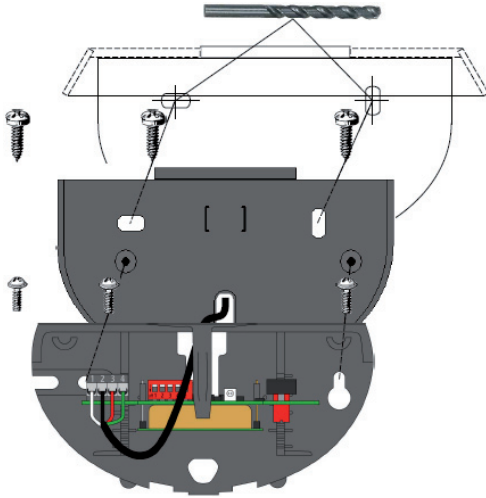
### Mechanical specifications

Material	plastic
Mounting	Mounting accessories included
<b>Suitable series</b>	
Series	RMS

Release date: 2020-03-23 Date of issue: 2020-10-08 Filename: 184853\_eng.pdf

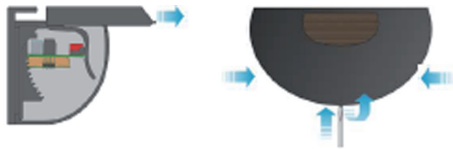
# Mounting

## Weather Cap Installation

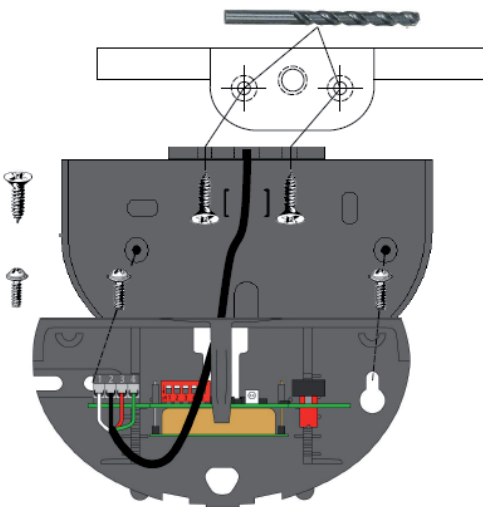


### Disassembling:

- 1) Weather cap
- 2) Cover



## Ceiling Mounting



Release date: 2020-03-23 Date of issue: 2020-10-08 Filename: 184853\_eng.pdf



**Disassembling:**

Cover

