



RFID Transponder

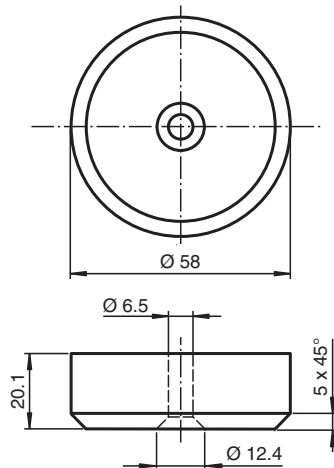
IQC21-58

- Operating frequency 13.56 MHz
- Conforms to ISO 15693
- 64 bit Fixcode
- 896 bits memory available
- Degree of protection IP67
- Mounting holes for simple installation
- High resistance against water, chemicals, transformer oil, petrol and heating oil

Data carrier



Dimensions



Technical Data

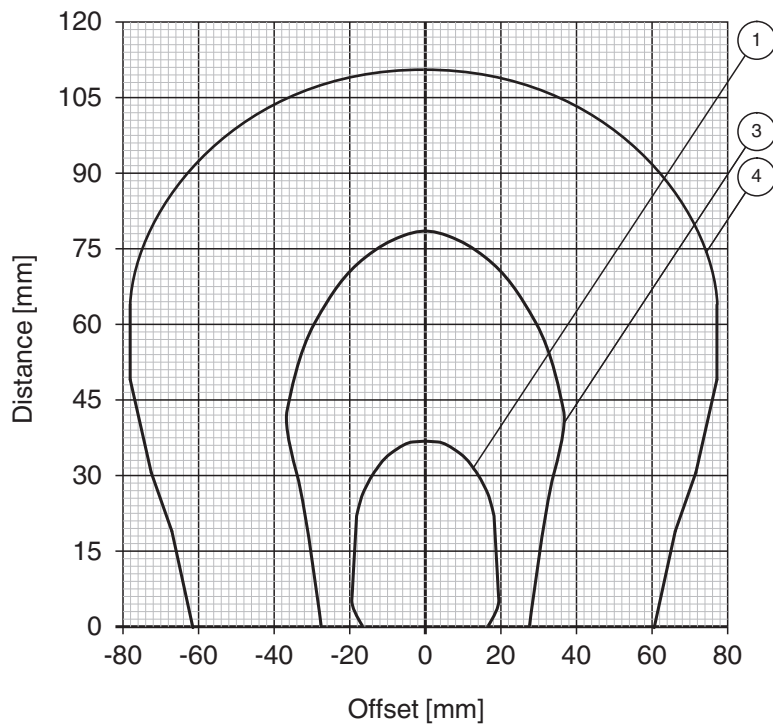
General specifications	
Operating frequency	13.56 MHz
Transfer rate	26 kBit/s
Memory	
Chip Type	I-CODE SLI (NXP)
EEPROM	896 Bit
UID	64 Bit
Memory organization	4 bytes/block
Read cycles	unlimited
Write cycles	> 100000
Data retention period	10 years at 55 °C (131 °F)
Directive conformity	
Radio equipment	
Directive 2014/53/EU	EN 300330
RoHS	
Directive 2011/65/EU (RoHS)	IEC/EN 63000
Standard conformity	

Release date: 2022-12-15 Date of issue: 2022-12-15 Filename: 184884_eng.pdf

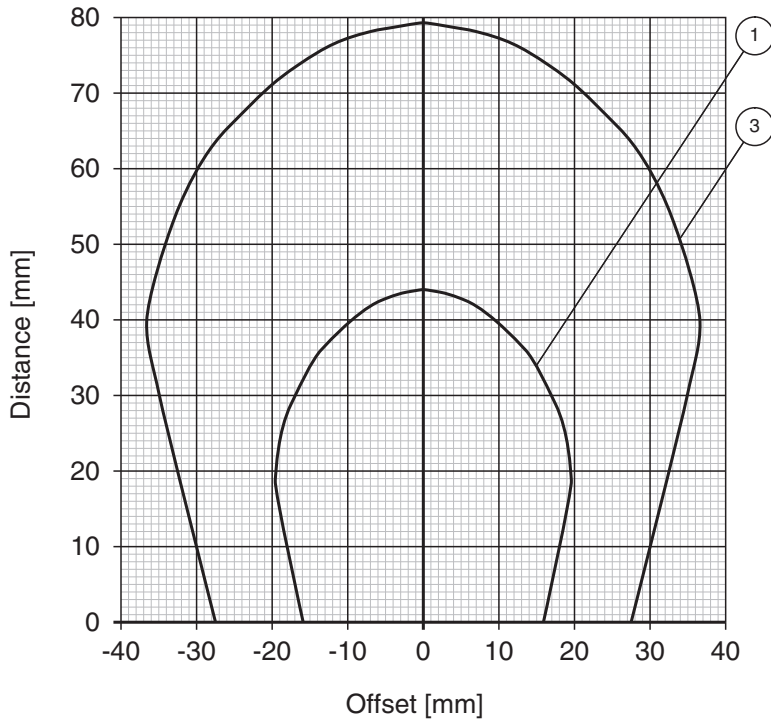
Technical Data

Degree of protection	EN 60529
RFID	ISO/IEC 15693-1 ISO/IEC 15693-2 ISO/IEC 15693-3 ISO/IEC 18000-3
Ambient conditions	
Ambient temperature	-25 ... 85 °C (-13 ... 185 °F)
Storage temperature	-25 ... 85 °C (-13 ... 185 °F)
Mechanical specifications	
Housing height	20.1 mm
Housing diameter	58 mm
Degree of protection	IP67
Material	
Housing	ABS
Encapsulation compound	Polyurethane (PUR)
Installation	
On metal	yes
In air	yes
Construction type	Cylindrical

Reading range in air IQC21-58

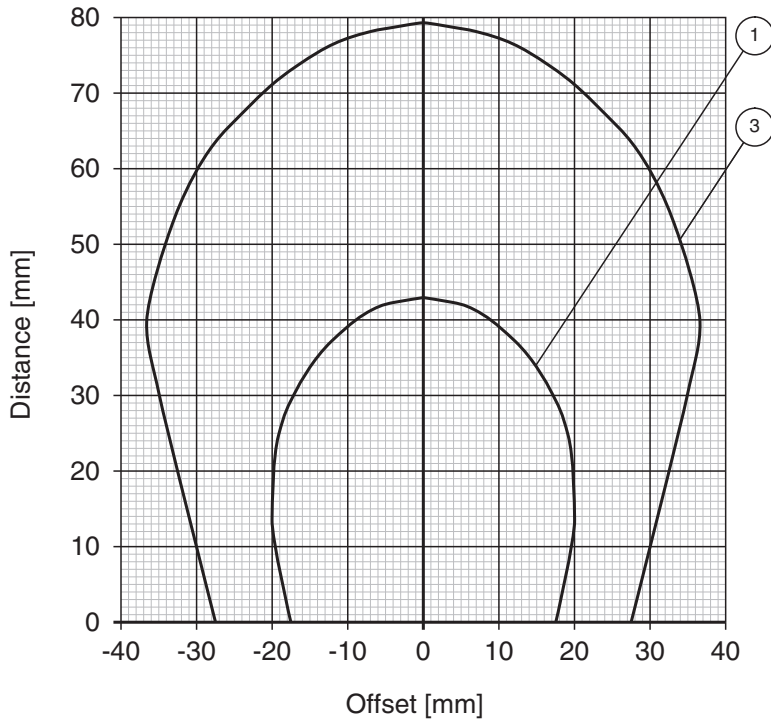


Reading range on aluminium IQC21-58



Release date: 2022-12-15 Date of issue: 2022-12-15 Filename: 184884_eng.pdf

Reading range on steel IQC21-58



- ① IQH1-18GM-V1 ② IQH1-F61-V1 ③ IQH1-FP-V1
 ④ IQH1-F15-V1

Mounting

The surface containing the text must face the read/write head.