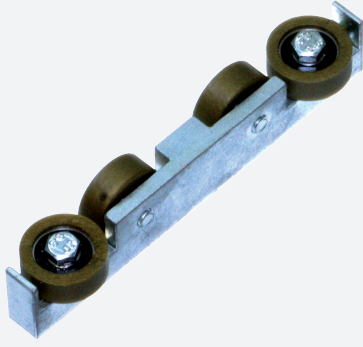


Guide bar

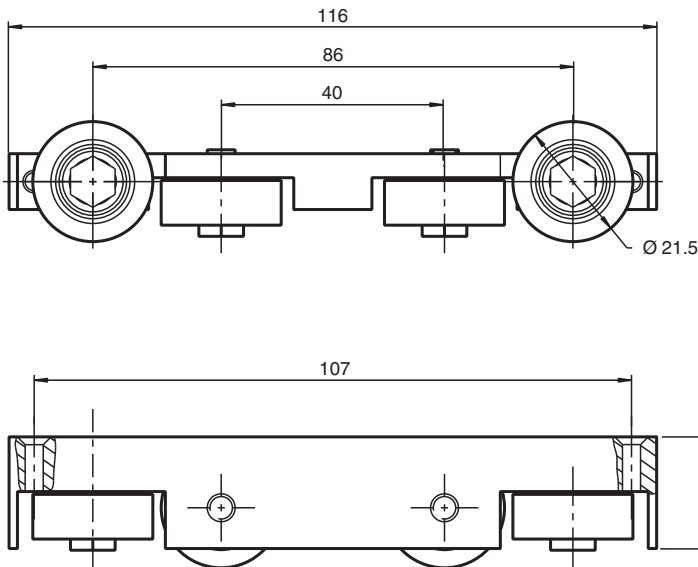
WCS2-GT-WD-M1



- Ensures the optimum alignment of reading head and code rail
- Metal rollers

Guide bar with metal guide rollers, aluminum profile system WCS2

Dimensions



Technical Data

Mechanical specifications

Material	galvanized steel metal rollers
Mass	256 g