



Model Number

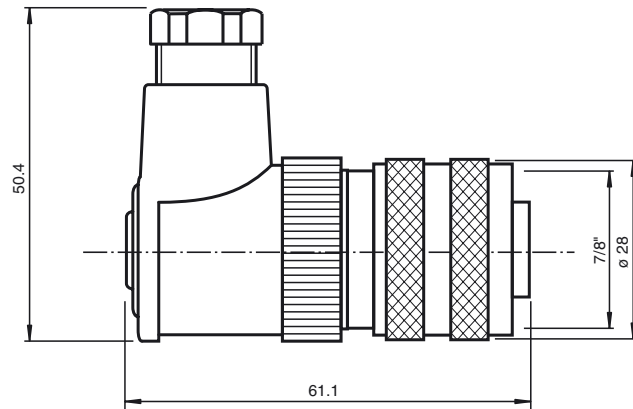
V95-W

Female cordset, field attachable

Features

- Gold plated contacts

Dimensions



Technical data

General specifications

| | |
|---------------------|-------------|
| Number of pins | 5 |
| Connection 1 | socket |
| Construction type 1 | right angle |
| Threading 1 | 7/8" |
| UL File Number | E363587 |

Electrical specifications

| | | |
|-------------------|-------|----------------|
| Operating voltage | U_B | max. 250 V |
| Operating current | | max. 9 A |
| Volume resistance | | < 5 m Ω |

Ambient conditions

| | |
|---------------------|--------------------------------|
| Ambient temperature | -40 ... 85 °C (-40 ... 185 °F) |
|---------------------|--------------------------------|

Mechanical specifications

| | |
|----------------------|---|
| Degree of protection | IP67 |
| Connection | 1 x 7/8"-16 UN socket, straight screw terminal for max. 1.5 mm ² |

Material

| | |
|-----------------|--------------------------|
| Contacts | CuZn, nickel-plated |
| Contact surface | Au |
| Body | PBT |
| Slotted nut | aluminum, black anodized |
| Cable | |
| Sheath diameter | 6 ... 8 mm |

Compliance with standards and directives

| | |
|----------------------|---------------|
| Standard conformity | |
| Degree of protection | EN 60529:2000 |

Electrical connection

