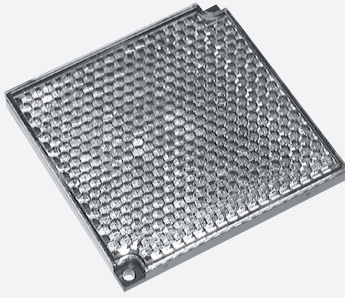
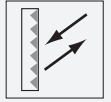


Reflector

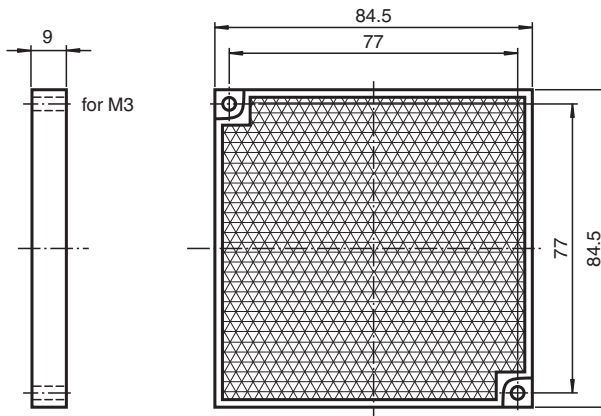
REF-H85-2



- Mounting holes for simple installation
- High detection ranges achievable

Reflector, rectangular 84.5 mm x 84.5 mm, mounting holes

Dimensions



Technical Data

General specifications

Construction type rectangular

Ambient conditions

Ambient temperature -30 ... 60 °C (-22 ... 140 °F)

Mechanical specifications

Material PMMA/ABS

Dimensions 84.5 mm x 84.5 mm x 9 mm

Mounting mounting holes