

# Mounting aid OMH-LS610-03

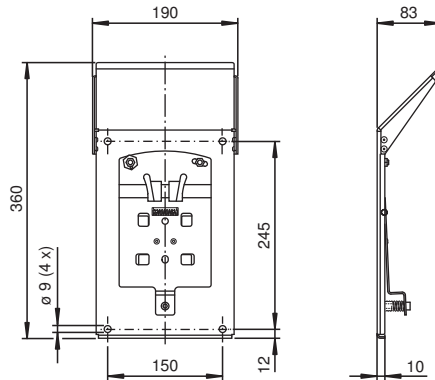


- Mounting bracket
- Fixing with latching spring or latch fastener for easy installation

Mounting bracket with deviation mirror for optical data coupler



## Dimensions



## Technical Data

### Mechanical specifications

Material	Stainless steel
Mass	approx. 1580 g

### Suitable series

Series	LS610 LS611 LS680 , LS682
--------	---------------------------------

Release date: 2020-03-23 Date of issue: 2020-06-29 Filename: 185993\_eng.pdf