



Thru-beam sensor

LA31/LK31/25/31/115

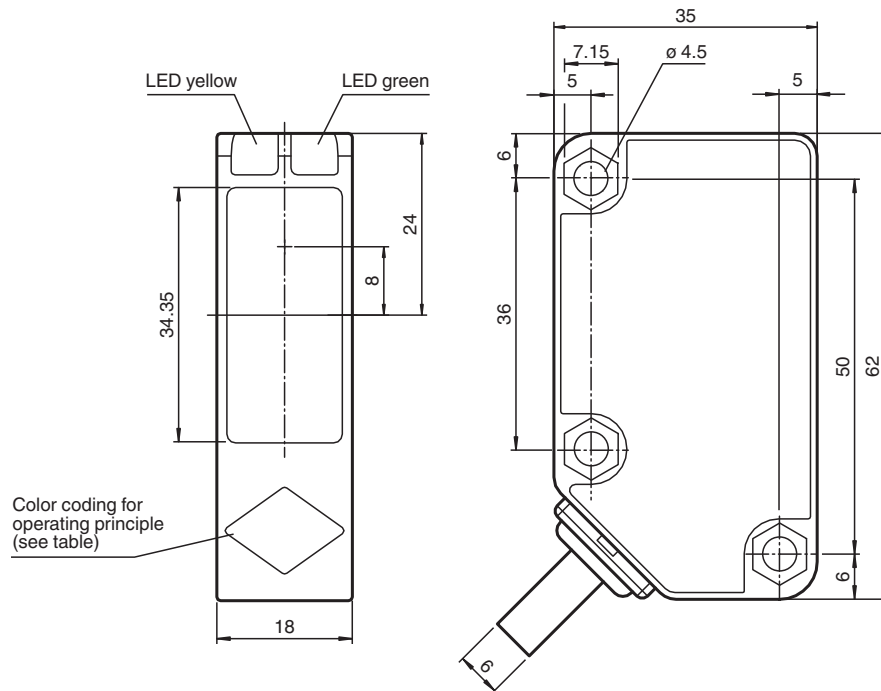


- Cost-optimized series for standard tasks
- Large construction with small housing
- Highly visible LED
- Version for universal voltages
- Relay output
- Wide range of mounting options

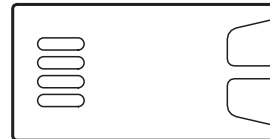
Thru-beam sensor, 30 m detection range, red light, light on, AC/DC version, relays output, fixed cable



Dimensions



Operating principle	color
Retroreflective sensor with polarisation filter	green
Retroreflective sensor	blue
Diffusive mode sensor	white
Thru-beam sensor	grey
Diffusive mode sensor with background suppression	red



Technical Data

System components	
Emitter	LA31/115
Receiver	LK31/25/31/115
General specifications	
Effective detection range	0 ... 30 m
Threshold detection range	43 m

Release date: 2023-10-13 Date of issue: 2023-10-13 Filename: 186501_eng.pdf

Technical Data

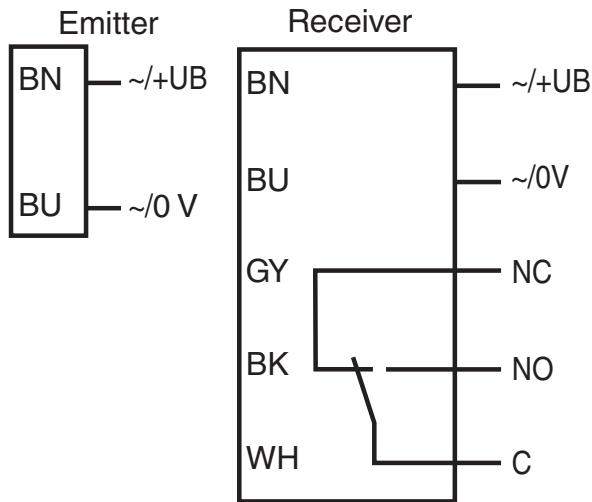
Light source		LED
Light type		modulated visible red light , 630 nm
Alignment aid		LED yellow: 1. LED illuminates: Sufficient light signal received, emitter and receiver alignment is correct 2. LED flashes: Reaching switching point 3. LED off: Light beam is interrupted or the alignment is out
Diameter of the light spot		approx. 800 mm at a distance of 30 m
Opening angle		Emitter: 0.5 ° , Receiver: 1.5 °
Ambient light limit		50000 Lux ; according to EN 60947-5-2
Functional safety related parameters		
MTTF _d		620 a
Mission Time (T _M)		20 a
Diagnostic Coverage (DC)		0 %
Indicators/operating means		
Operation indicator		LED green: power on
Function indicator		LED yellow: 1. LED lit constantly: signal > 2 x switching point (function reserve) 2. LED flashes: signal between 1 x switching point and 2 x switching point 3. LED off: signal < switching point
Electrical specifications		
Operating voltage	U _B	24 ... 240 V AC 12 ... 240 V DC
No-load supply current	I ₀	Emitter: ≤ 20 mA Receiver: ≤ 20 mA
Power consumption	P ₀	Emitter: ≤ 1 VA Receiver: ≤ 1 VA
Output		
Switching type		light-on
Signal output		Relay, 1 alternator
Switching voltage		max. 250 V AC/DC
Switching current		max. 3 A
Switching power		DC: max. 150 W AC: max. 750 VA
Switching frequency	f	≤ 20 Hz
Response time		≤ 25 ms
Conformity		
Product standard		EN 60947-5-2
Compliance with standards and directives		
Standard conformity		
Standards		EN 62103
Approvals and certificates		
Protection class		II , rated voltage ≤ 250 V AC with pollution degree 1-2 according to IEC 60664-1 Output circuit basis insulation of input circuit according to EN 50178, rated insulation voltage 240 V AC
CCC approval		Certified by China Compulsory Certification (CCC)
Ambient conditions		
Ambient temperature		-25 ... 55 °C (-13 ... 131 °F)
Storage temperature		-40 ... 70 °C (-40 ... 158 °F)
Mechanical specifications		
Housing width		18 mm
Housing height		62 mm
Housing depth		35 mm
Degree of protection		IP67
Connection		Emitter: 2 m fixed cable , 2-wire Receiver: 2 m fixed cable , 5-wire
Material		
Housing		Polycarbonate
Optical face		PMMA

Technical Data

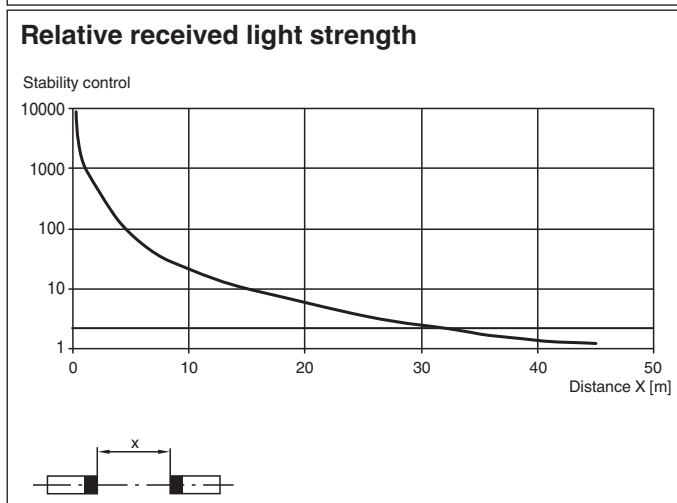
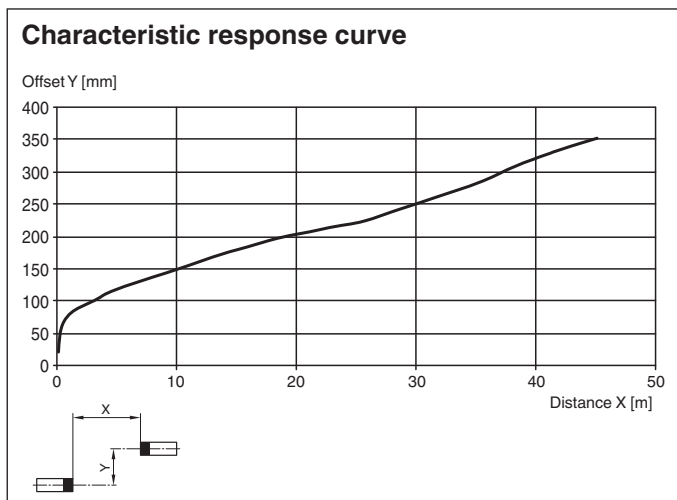
Mass

Emitter: 116 g
Receiver: 131 g

Connection Assignment









Characteristic Curve



Release date: 2023-10-13 Date of issue: 2023-10-13 Filename: 186501_eng.pdf

Accessories

	OMH-RL31-01	Mounting bracket
	OMH-RL31-02	Mounting bracket narrow
	OMH-RL31-03	Mounting bracket narrow
	OMH-RL31-04	Mounting aid for round steel \varnothing 12 mm or sheet 1.5 mm ... 3 mm
	OMH-RL31-06	Stainless steel mounting bracket with adjustable half clamp on the side
	OMH-RL31-05	Mounting bracket for mounting on flat surfaces with 2 M4 screws