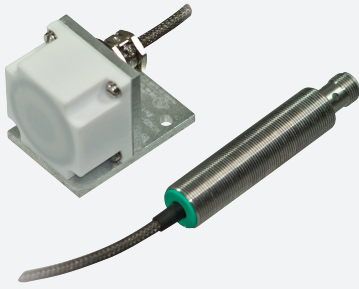


# Inductive sensor

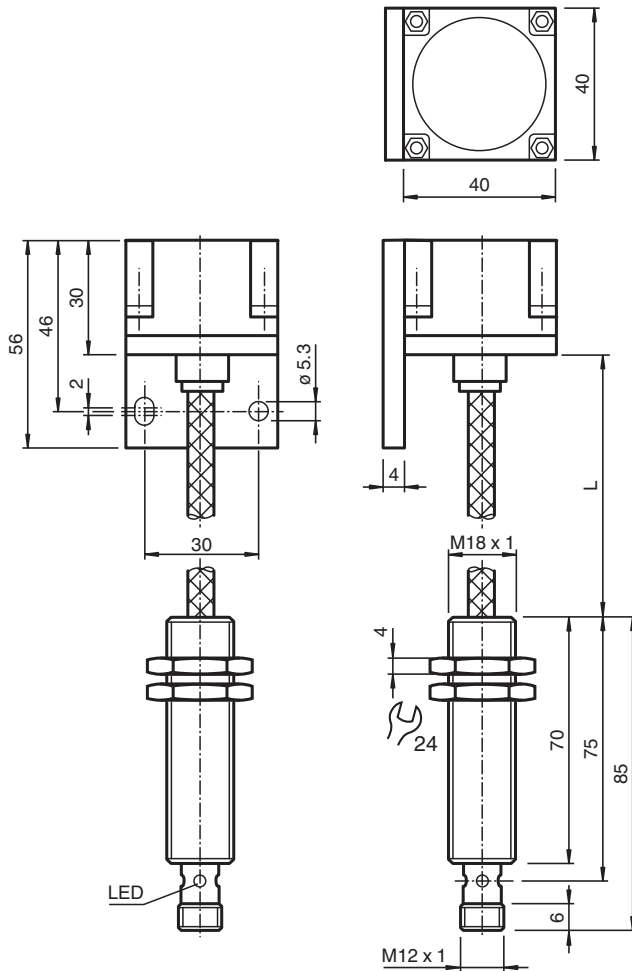
## NCN20-F35-A2-250-10M-V1



- Comfort series
- Extended temperature range of sensor component  
0 ... 250 °C (0 ... 482 °F)
- 10 m cable between sensor and amplifier with metal case
- Suitable for drag chains and abrasion resistant
- Minimum bending radius of 30 cm for movable installation



### Dimensions



### Technical Data

#### General specifications

Switching function	complementary
Output type	PNP

Release date: 2025-06-06 Date of issue: 2025-06-06 Filename: 187851\_eng.pdf

## Technical Data

Rated operating distance	$s_n$	20 mm
Installation		flush mountable
Output polarity		DC
Assured operating distance	$s_a$	0 ... 16.2 mm
Reduction factor $r_{Al}$		0.5
Reduction factor $r_{Cu}$		0.5
Reduction factor $r_{304}$		0.6 ... 1
Output type		4-wire
Mounting angle		Al
Amplifier housing		Stainless steel
<b>Nominal ratings</b>		
Operating voltage	$U_B$	10 ... 30 V
Switching frequency	$f$	0 ... 20 Hz
Hysteresis	$H$	0.3 ... 5 typ. 2 %
Reverse polarity protection		reverse polarity protected
Short-circuit protection		pulsing
Voltage drop	$U_d$	$\leq 3$ V
Operating current	$I_L$	0 ... 200 mA
No-load supply current	$I_0$	$\leq 25$ mA
Time delay before availability	$t_v$	$\leq 20$ ms
Switching state indicator		Multihole-LED, yellow
<b>Functional safety related parameters</b>		
MTTF <sub>d</sub>		7515 a
Mission Time ( $T_M$ )		20 a
Diagnostic Coverage (DC)		0 %
<b>Compliance with standards and directives</b>		
Standard conformity		
Standards		EN IEC 60947-5-2
<b>Approvals and certificates</b>		
UL approval		cULus Listed Load Type: General Purpose Circuitry: Class 2 Power Source Enclosure Type Rating: Type 1
CCC approval		CCC approval / marking not required for products rated $\leq 36$ V
<b>Ambient conditions</b>		
Ambient temperature		0 ... 250 °C (32 ... 482 °F)
<b>Mechanical specifications</b>		
Connection type		Connector plug
Cable version		PFA cable, with armour of stainless steel
Core cross section		3 x 0.34 , screened
Housing material		PTFE / Al / 1.4305 / AISI 303
Sensing face		PTFE
Degree of protection		amplifier IP67 sensor IP40
Connector		
Threading		M12 x 1
Number of pins		4
Dimensions		
Height		40 mm
Width		44 mm
Length		56 mm
Cable length		L = 10 m

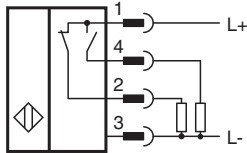
**Technical Data**

Note

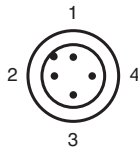
- amplifier 0 °C ... 70 °C
- $r_{1.4305}$  dep. on thickness of measurement plate d:  
 $r_{1.4305} = 1$  for  $d < 1\text{mm}$

Additional accessory: Protective cover SH-F35 is available for use in areas where there is moisture and as a means of mechanical protection.

**Connection Assignment**



**Connection Assignment**



Wire colors in accordance with EN 60947-5-2

1	BN	(brown)
2	WH	(white)
3	BU	(blue)
4	BK	(black)

**Mounting**

**Installation Conditions**

The sensor consists of a cylindrical amplifier part and the cubic sensor head. Both main components are inseparably connected with a high temperature cable.

The following installation conditions shall be observed:

- Install the amplifier in the low temperature area of the plant. Only the sensor head may be exposed to high temperatures.
- Unwind the high-temperature cable for operation, observing the permissible minimum bending radius.
- Avoid kinking or pinching the high temperature cable.
- If the minimum bending radius is not exceeded, the high-temperature cable can be assumed to be suitable for conveyor chains with a maximum of 1 million movement cycles.
- Mount the sensor so that the front edge of a metallic mounting base does not overhang the front edge of the sensor head. Flush mount of the sensor head on one side is possible. A back-flush installation of the sensors in metallic environment must be avoided at all costs.
- Observe the maximum tightening torque of 30 Nm for the fastening nuts on the cylindrical amplifier part.

**Note**

The screws on the sensor head are secured against loosening. The sensor head cannot be opened in a damage-free manner.

**Caution!**

Function failure in case of mechanical knocks!

Avoid mechanical knocks to the sensor head. The ferrite core of the sensor coil is hidden directly under the housing cover. Knocks on the sensor head can lead to fracture of the ferrite core and thus to failure of the sensor.

**Caution!**

Functional failure if there is buckling/crushing stress on the high-temperature cable!

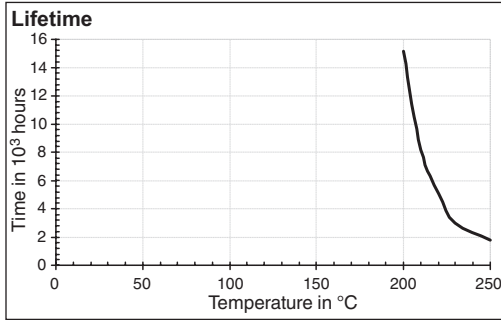
If the high-temperature cable experiences kinking or crushing stress, the internal structure of the cable is immediately altered to such an extent that this can lead to a loss of function of the sensor.

**Protecting the sensor from dripping water**

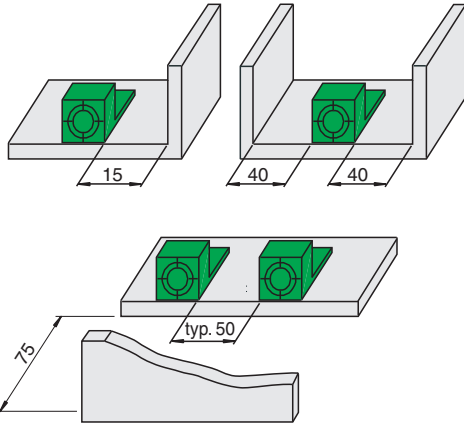
In the form of the SH-F35 accessory, Pepperl+Fuchs offers a protective cover for the sensor head of the F35 series. The protective cover is simply plugged onto the sensor head and provides limited protection against dripping water. The SH-F35 protective cover additionally increases the protection of the sensor head against external mechanical impacts.

Release date: 2025-06-06 Date of issue: 2025-06-06 Filename: 187851\_eng.pdf

# Installation

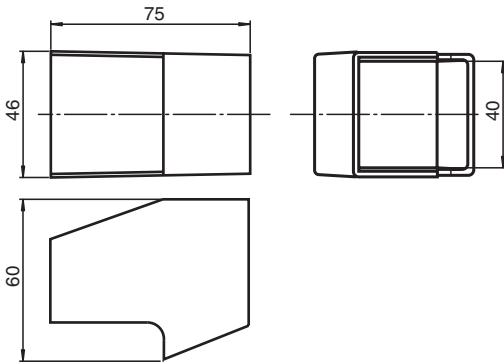


**Installation:**



**Accessories:**

Protective Cover SH-F35



Release date: 2025-06-06 Date of issue: 2025-06-06 Filename: 187851\_eng.pdf