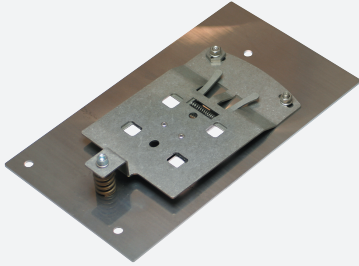


Mounting aid

OMH-LS610-32

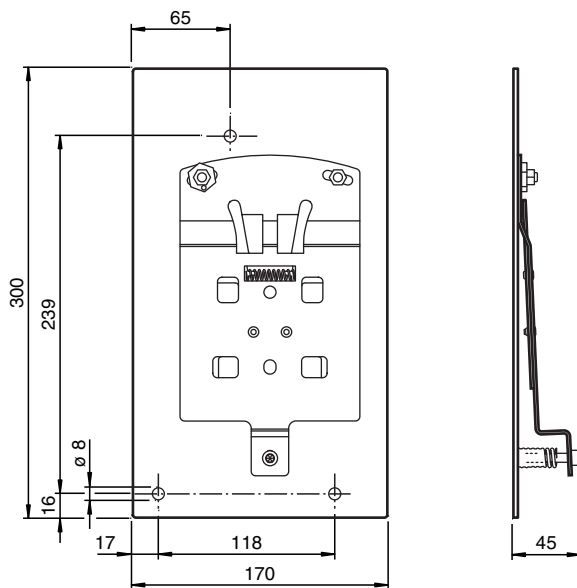


- Mounting bracket for moving installations
- Fixing with latching spring or latch fastener for easy installation

Mounting bracket for optical data coupler and distance measurement devices



Dimensions



Technical Data

Mechanical specifications

Material	Stainless steel
Mass	1680 g

Suitable series

Series	LS610 LS611 VDM100
--------	--------------------------

Release date: 2020-03-23 Date of issue: 2020-06-29 Filename: 189207_eng.pdf