



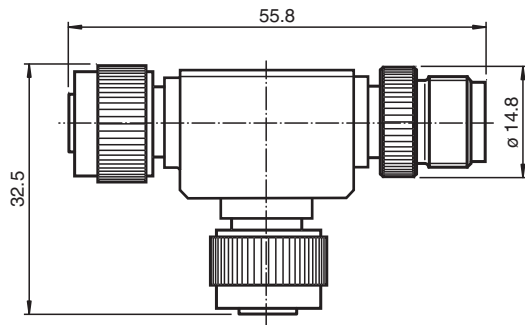
T-Distributor V15S-TEE-V15

- Suitable for DeviceNet and CANopen
- Parallel distributor for bus connection (all pins bridged)
- Degree of protection IP67
- Knurled nut suitable for tool assembly
- Immunity to vibration, with mechanical latching

T-Splitter M12 socket to M12 plug / M12 socket 5-pin A-coded



Dimensions



Technical Data

General specifications

Connector 1	
Connection	plug
Construction type	M12
Style	straight
Locking	screw connection
Number of pins	5
Coding	A-coded
Connector 2	
Connection	socket
Construction type	M12
Style	straight
Locking	screw connection
Number of pins	5
Coding	A-coded
Connector 3	
Connection	socket
Construction type	M12
Style	straight
Locking	screw connection
Number of pins	5

Release date: 2024-03-22 Date of issue: 2024-03-22 Filename: 189351_eng.pdf

Technical Data

Coding	A-coded	
Electrical specifications		
Operating voltage	U_B	max. 48 V AC / 60 V DC
Operating current	I_B	4 A
Conformity		
Degree of protection		EN 60529
Plug connection		connector M12 x 1 : IEC 61076-2-101
Ambient conditions		
Ambient temperature		-25 ... 90 °C (-13 ... 194 °F)
Pollution degree		3
Mechanical specifications		
Plug connector		
Tightening torque		0.6 Nm
Loosening protection		available
Tool installation		straight knurling
Mating cycles		min. 100
Degree of protection		IP65/IP67
Dimensions		
Width		32.5 mm
Length		55.8 mm
Material		
Plug connector		
Screw connection		Zinc diecast, nickel-plated
Body		TPU
Contact surface		Ni/Au
Flammability		HB

Connection Assignment

