

Mounting aid OMH-RL31-04

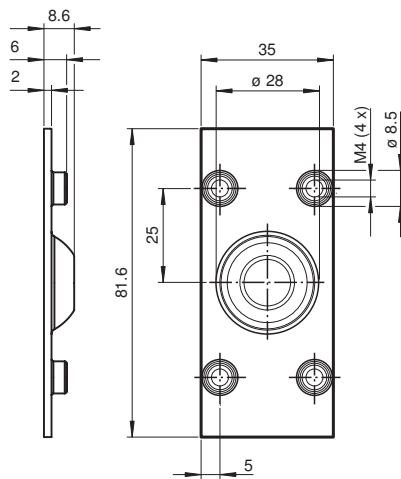


- Mounting bracket
- Simple and fast mounting

Mounting aid for round steel \varnothing 12 mm or sheet 1.5 mm ... 3 mm



Dimensions



Technical Data

Mechanical specifications	
Material	Metal sheet (steel), zinc-plated
Mass	approx. 60 g
Suitable series	
Series	Series 31

Release date: 2020-03-23 Date of issue: 2020-06-29 Filename: 189982_eng.pdf