



Slot grid sensor RAL70-IR/32/98



- Compact slot grid sensor
- Open frame with wide detection area
- Optimized for the detection of small parts
- Option to suppress stationary objects
- Detection of very small guided and non-guided parts in free fall

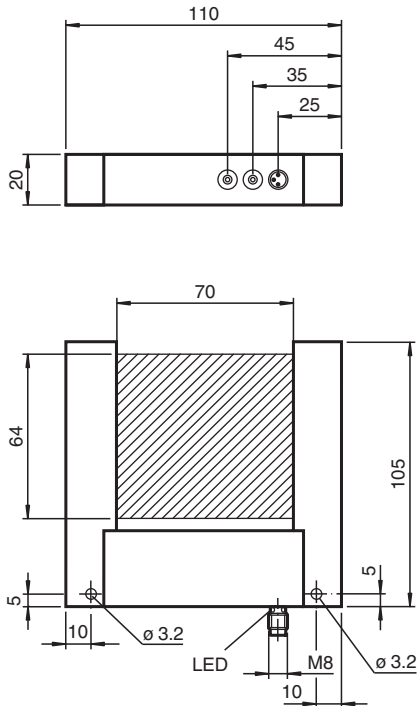
Compact slot grid sensor, optimized for detection of small parts, 70 mm slot width, infrared light, PNP output, M8 plug



Function

Slot grid sensors are ideal for filling and counting objects in feed devices. In contrast to standard photoelectric slot sensors, the slot grid sensors have an entire field for object detection with a maximum response time of 100 μ s and a minimum object size of 1 mm. When using dynamic mode, only moving objects are detected.

Dimensions



Technical Data

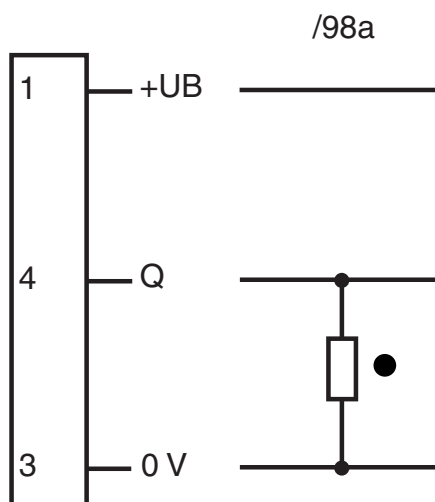
General specifications

Light source	IREL
Light type	modulated infrared light
Marking	CE
Slot width	70 mm

Technical Data

Slot depth	70 mm	
Ambient light limit	10000 Lux	
Resolution	1 mm	
Temperature influence	< 10 %	
active zone	70 mm x 64 mm	
Indicators/operating means		
Function indicator	LED, yellow	
Control elements	sensitivity adjustment	
Control elements	Time adjuster for Pulse stretching and Dynamic/static operation	
Electrical specifications		
Operating voltage	U_B	24 V DC \pm 20 %
No-load supply current	I_0	< 70 mA
Output		
Switching type	dark-on	
Signal output	1 PNP output, short-circuit protected, reverse polarity protected, open collector	
Switching voltage	max. 30 V DC	
Switching current	200 mA	
Voltage drop	U_d	< 2.5 V
Switching frequency	f	5000 Hz
Repeat accuracy	R	0.1 mm
Pulse extension	0.1 ... 150 ms	
Conformity		
Product standard	EN 60947-5-2	
Ambient conditions		
Ambient temperature	-10 ... 60 °C (14 ... 140 °F)	
Mechanical specifications		
Housing length	105 mm	
Housing width	20 mm	
Housing height	110 mm	
Degree of protection	IP67	
Connection	M8 connector, 3-pin	
Material		
Housing	black anodized aluminum	
Optical face	glass	
Mass	300 g	

Connection Assignment



- = Light on
● = Dark on

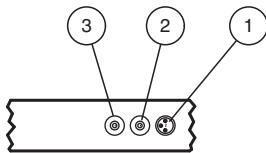
Connection Assignment



Wire colors in accordance with EN 60947-5-2

1	BN	(brown)
3	BU	(blue)
4	BK	(black)

Assembly



1	Functional display	yellow
2	Time/static	
3	Sensitivity adjuster	

Resolution

Potentiometer setting	RAL-50	RAL-70	RAL-100	RAL-150
Minimal	0.5 mm	0.8 mm	1.0 mm	1.2 mm
Center	4.0 mm	8.0 mm	10.0 mm	15.0 mm
Maximum	8.0 mm	15.0 mm	25.0 mm	50.0 mm

The information on the maximum resolution (smallest detectable object) relates to the center of the slot grid sensor.

Configuration information

The device is set to large parts by turning the sensitivity adjustment potentiometer clockwise and to small parts by turning the sensitivity adjustment potentiometer counterclockwise.

The "time/static" potentiometer can be used both to select pulse extension in dynamic operation and to select static/dynamic operation. Static operation is selected by turning the potentiometer counterclockwise as far as it will go. Pulse extension is set to 1 ms. Pulse extension can be adjusted between 150 ms and 0 ms by turning the potentiometer clockwise.

In static operation, the output remains set while the object is within the frame. The switching threshold is not automatically tracked in this operating mode. Temperature fluctuations and dirt may trigger a switching operation.

In dynamic operation, the output is set only to the specified pulse extension. Objects that extend into the frame are hidden. If the device becomes dirty in dynamic operation, the output is set statically at 50% reception signal.