



RFID Transponder

IPC02-26-T6

- Degree of protection IP68
- Battery-free high temperature code carrier
- 40 bit fix code
- Readable from both sides
- Mounting holes for simple installation

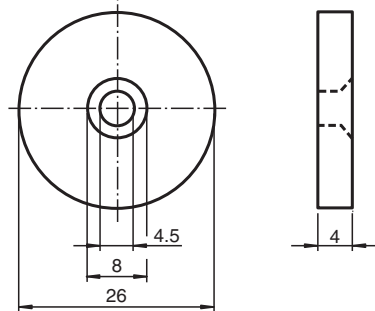
Code carrier



Application

The transponder can be read from either side.

Dimensions



Technical Data

General specifications

Operating frequency	125 kHz
Transfer rate	2 kBit/s

Memory

Chip Type	EM4102 Unique (EM Microelectronic)
Read cycles	unlimited
Data retention period	> 10 years

Directive conformity

Radio equipment	
Directive 2014/53/EU	EN 300330
RoHS	
Directive 2011/65/EU (RoHS)	IEC/EN 63000

Standard conformity

Degree of protection	EN 60529
----------------------	----------

Release date: 2024-06-17 Date of issue: 2024-06-17 Filename: 191025_eng.pdf

Technical Data

RFID	ISO/IEC 18000-2
Ambient conditions	
Ambient temperature	-25 ... 85 °C (-13 ... 185 °F) 20 ... 160 °C (68 ... 320 °F) for 100 x 5 minutes with transposition every 30 seconds
Storage temperature	-25 ... 140 °C (-13 ... 284 °F) for 1000 hours 200 °C (392 °F) for 5 x 35 minutes
Shock and impact resistance	Shock: 40 g, 18 ms in 6 spatial axes 2000 x in accordance with IEC 68-2-29 Vibration: 10 g, 10 ... 2000 Hz, 2.5 hours in 3 spatial axes in accordance with IEC 68-2-6
Mechanical specifications	
Degree of protection	IP68 (24 hours in water 1 m deep)
Material	
Housing	PA
Installation	
On metal	yes
In air	yes
Mass	3.6 g
Dimensions	
Height	4 mm
Diameter	26 mm
Construction type	Cylindrical

Mounting

High temperatures will cause the housing to expand.
If the housing is assembled under mechanical stress, the resulting pressure may damage the tag.
Install the tag loosely to allow for expansion due to high temperatures.