



RFID Transponder

IPC02-30P

- Battery-free code carrier
- 40 bit fix code
- Readable from both sides
- Mounting holes for simple installation
- Degree of protection IP68 / IP69K

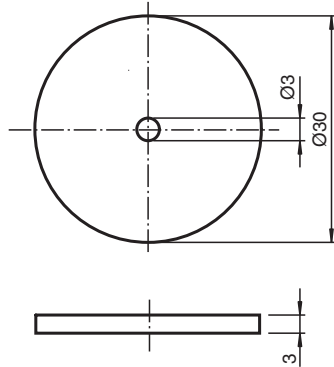
Code carrier



Application

The transponder can be read from either side.

Dimensions



Technical Data

General specifications

Operating frequency	125 kHz
Transfer rate	2 kBit/s

Memory

Chip Type	EM4200 Unique (EM Microelectronic)
Read cycles	unlimited
Data retention period	> 10 years

Directive conformity

Radio equipment	
Directive 2014/53/EU	EN 300330
RoHS	
Directive 2011/65/EU (RoHS)	IEC/EN 63000

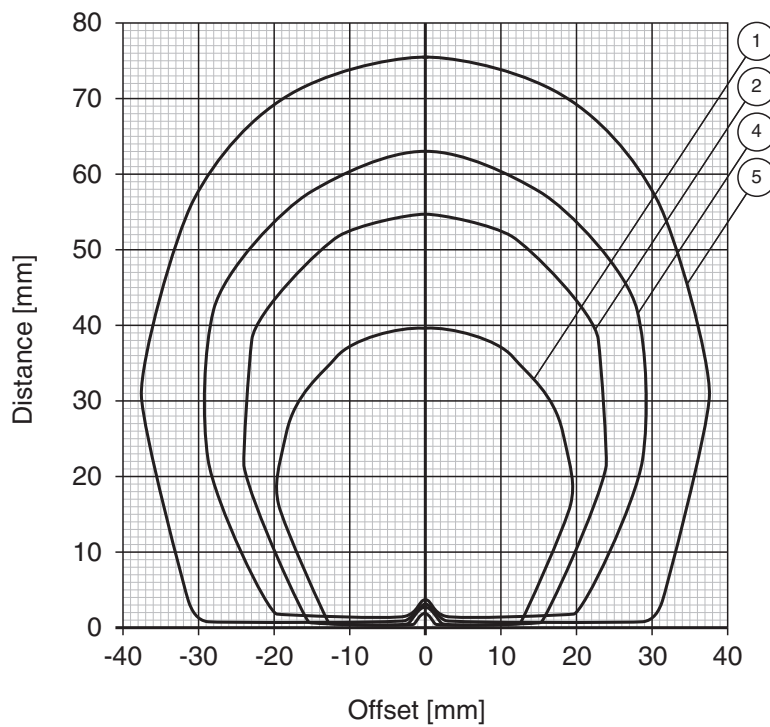
Standard conformity

Degree of protection	EN 60529
----------------------	----------

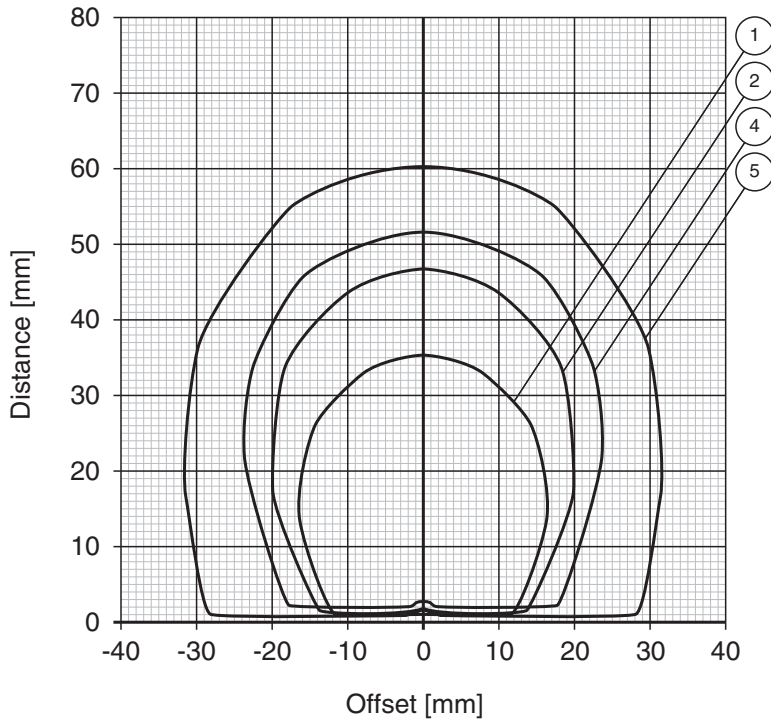
Technical Data

RFID	ISO/IEC 18000-2
Ambient conditions	
Ambient temperature	-20 ... 100 °C (-4 ... 212 °F)
Storage temperature	-20 ... 100 °C (-4 ... 212 °F)
Mechanical specifications	
Degree of protection	IP68 / IP69K
Material	
Housing	PC (Polycarbonate)
Installation	
In air	yes
Dimensions	
Height	3 mm
Height tolerance	± 0.2 mm
Diameter	30 mm
Diameter tolerance	± 0.2 mm
Construction type	Cylindrical

Reading range in air IPC02-30..

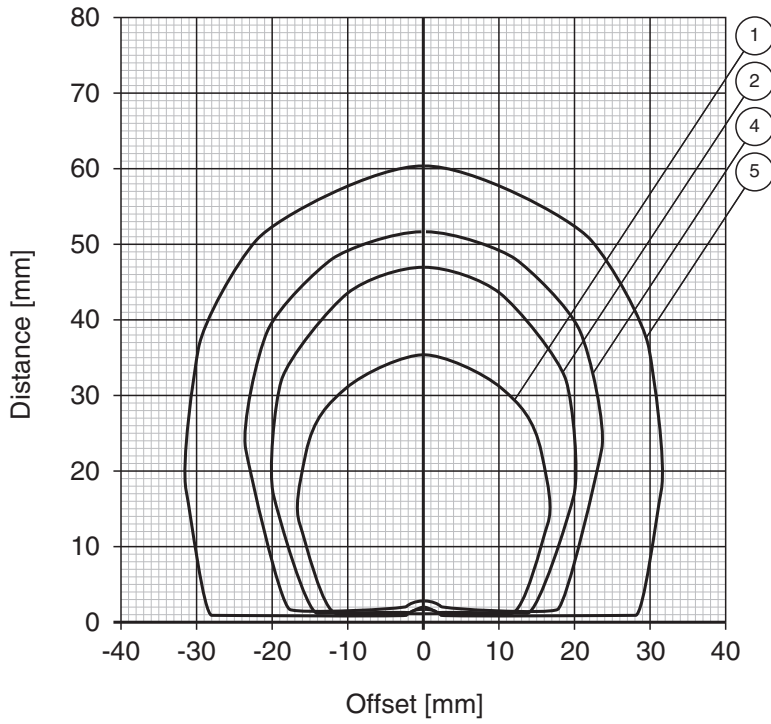


Reading range on aluminium IPC02-30..



Release date: 2024-07-10 Date of issue: 2024-07-10 Filename: 192202_eng.pdf

Reading range on steel IPC02-30..



- | | | | |
|---------------|-------------|--------------|--------------|
| ① IPH-18GM-V1 | ③ IPH-F61 | ⑤ IPH-FP-V1 | ⑦ IPT1-FP-V1 |
| ② IPH-30GM-V1 | ④ IPH-L2-V1 | ⑥ IPH-F15-V1 | |