



## RFID Transponder

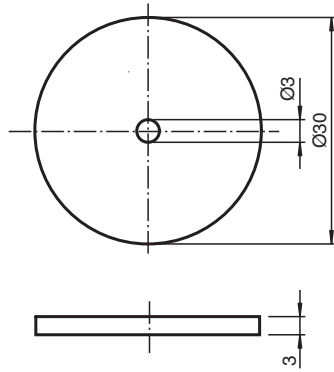
### IPC03-30P

- Battery-free data carrier
- 32 bit fixcode
- 928 bits memory available
- Readable and writable from both sides
- Mounting holes for simple installation
- Degree of protection IP68 / IP69K

Data carrier



## Dimensions



## Technical Data

General specifications	
Operating frequency	125 kHz
Transfer rate	2 kBit/s
Memory	
Chip Type	EM4450 Titan (EM Microelectronic)
EEPROM	928 Bit
Read cycles	unlimited
Write cycles	> 100000
Data retention period	10 years at 55 °C (131 °F)
Directive conformity	
Radio equipment	
Directive 2014/53/EU	EN 300330
RoHS	
Directive 2011/65/EU (RoHS)	IEC/EN 63000
Standard conformity	
Degree of protection	EN 60529
RFID	ISO/IEC 18000-2

Release date: 2024-07-05 Date of issue: 2024-07-05 Filename: 192203\_eng.pdf

## Technical Data

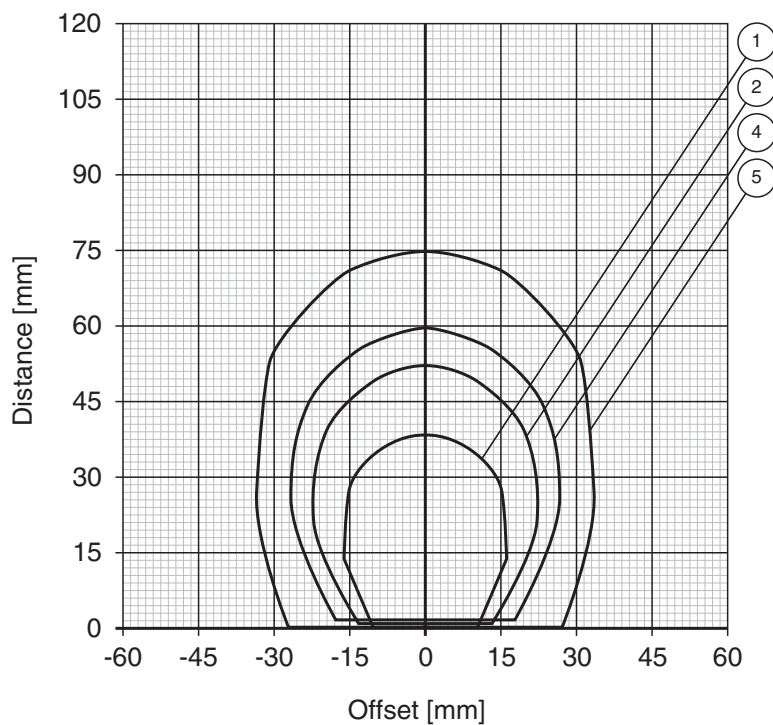
### Ambient conditions

Ambient temperature	-20 ... 100 °C (-4 ... 212 °F)
Storage temperature	-20 ... 100 °C (-4 ... 212 °F)

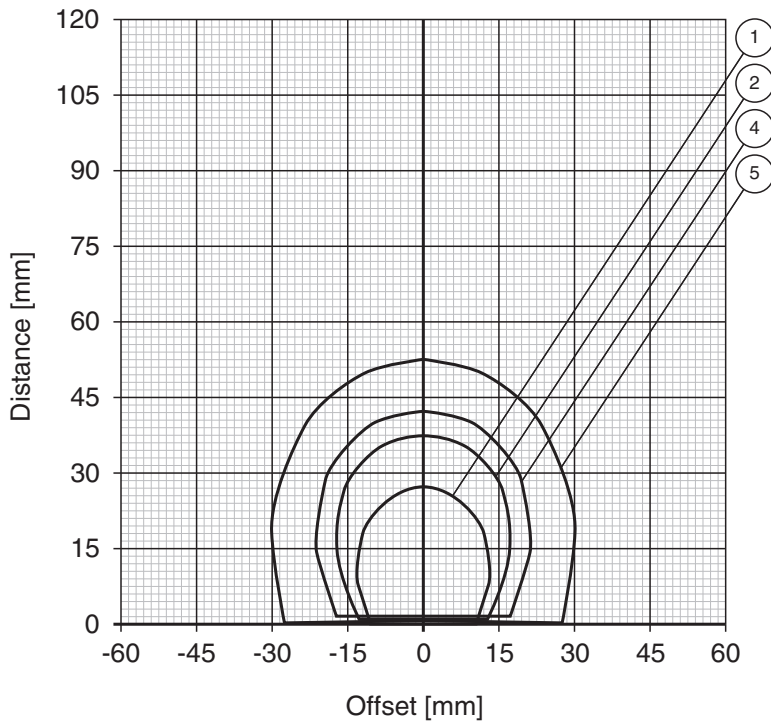
### Mechanical specifications

Degree of protection	IP68 / IP69K
Material	
Housing	PC (Polycarbonate)
Installation	
In air	yes
Dimensions	
Height	3 mm
Height tolerance	± 0.2 mm
Diameter	30 mm
Diameter tolerance	± 0.2 mm
Construction type	Cylindrical

Reading range in air IPC03-30..

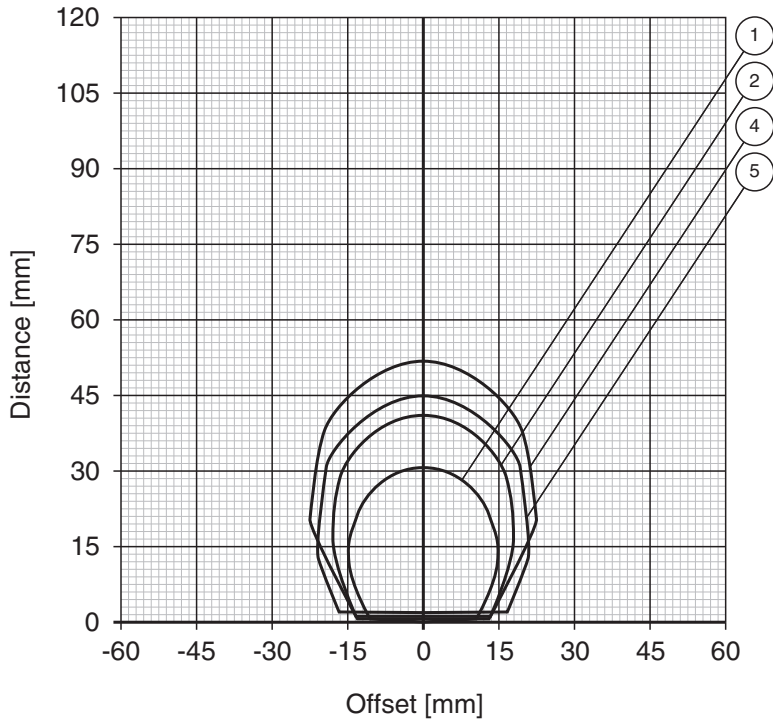


Writing range in air IPC03-30..



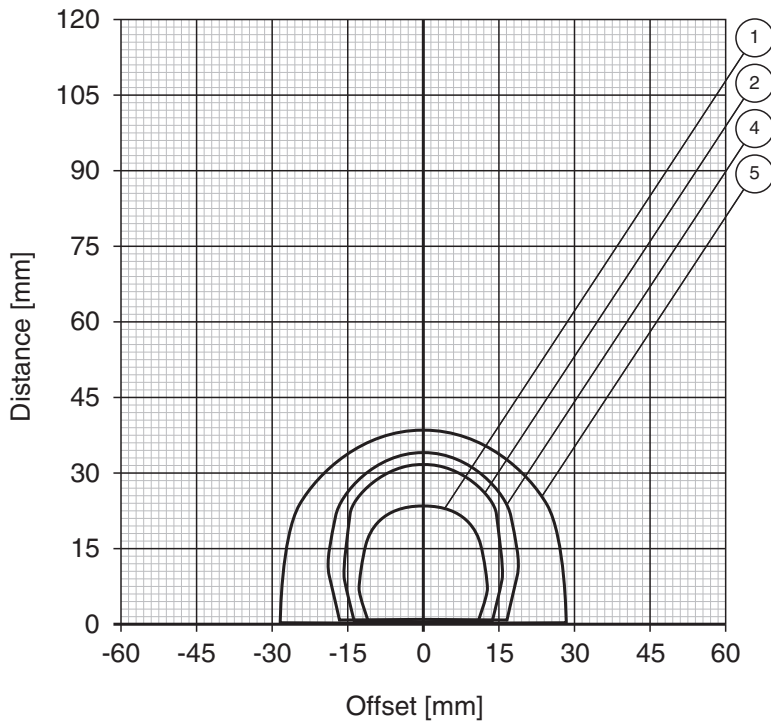
Release date: 2024-07-05 Date of issue: 2024-07-05 Filename: 192203\_eng.pdf

Reading range on aluminium IPC03-30..



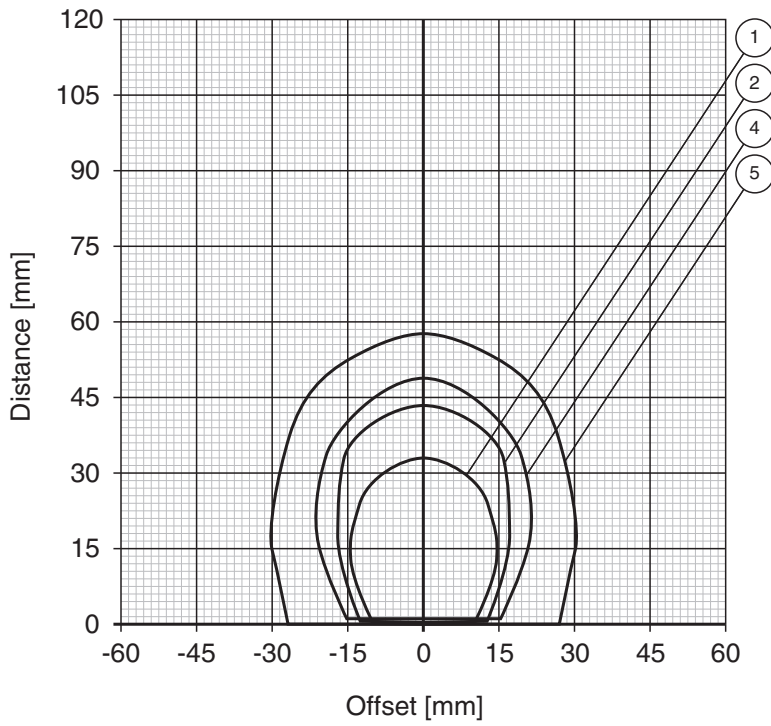
Release date: 2024-07-05 Date of issue: 2024-07-05 Filename: 192203\_eng.pdf

Writing range on aluminium IPC03-30..



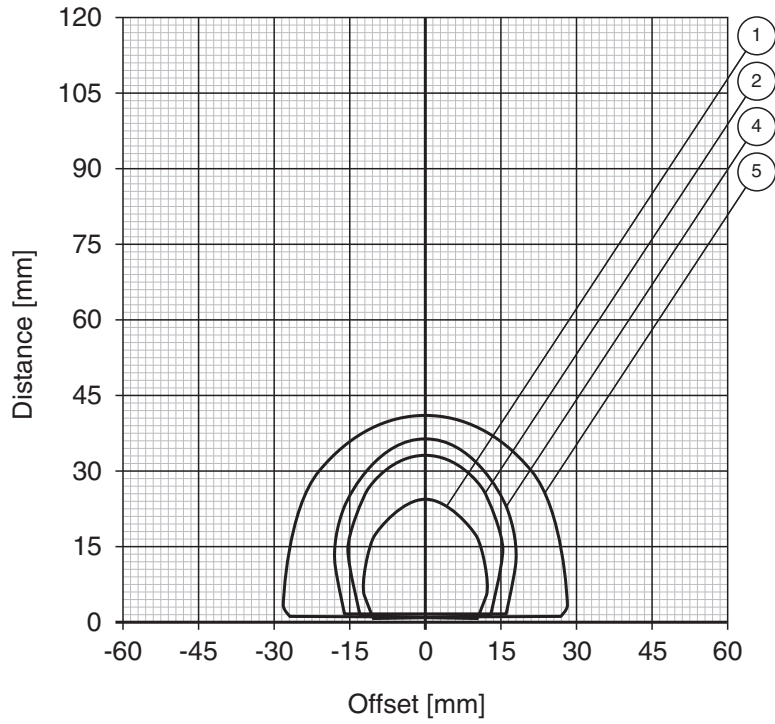
Release date: 2024-07-05 Date of issue: 2024-07-05 Filename: 192203\_eng.pdf

Reading range on steel IPC03-30..



Release date: 2024-07-05 Date of issue: 2024-07-05 Filename: 192203\_eng.pdf

## Writing range on steel IPC03-30..



- ① IPH-18GM-V1      ③ IPH-F61      ⑤ IPH-FP-V1      ⑦ IPT1-FP-V1  
 ② IPH-30GM-V1      ④ IPH-L2-V1      ⑥ IPH-F15-V1

## Application

The transponder can be read and written from either side.