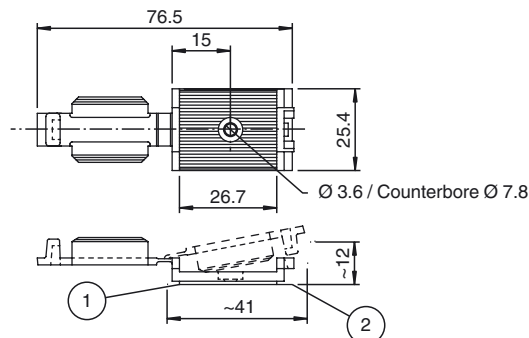




Dimensions



- ① Adhesive tape with
- ② removable protection film

Technical data

Mechanical specifications

Tension loading	max. 227 g
Material	Nylon 6.6
Installation	Mounting on smooth, grease-free, clean, dry surfaces.
Mass	approx. 386 g
Mounting	Adhesive or screw mounting Attached with cheese-head screws and optional spring washer.

Model number

VAZ-2FK-CL2

Mounting clip for AS-Interface flat cable

Features

- Large mounting base for high binding strength
- Convenient releasable latch
- For 1 or 2 AS-Interface flat cables
- Mount with adhesive, screws or both

ase date: 2007-12-19 13:39 Date of issue: 2014-01-13 193673_eng.xml