

Female connector, field-attachable

V1-G-DUO-PG11

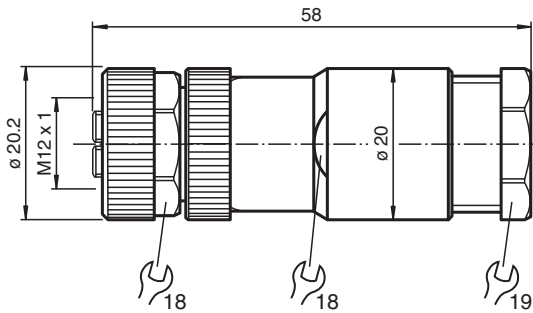


- Screw terminal connection
- Metal locking
- Easy merging of two signals at a single M12 slot
- Two double cable seals included in the delivery package
- Suitable for cable diameters 2 ... 3 mm und 4 ... 5 mm
- UL Recognized Component

Female connector M12 straight A-coded 4-pin, for cable diameter 2x 2 - 3 / 2x 4 - 5 mm, field-attachable



Dimensions



Technical Data

General specifications

| | | |
|-------------------|--|------------------|
| Connector 1 | | |
| Connection | | socket |
| Construction type | | M12 |
| Style | | straight |
| Locking | | screw connection |
| Number of pins | | 4 |
| Coding | | A-coded |

Electrical specifications

| | | |
|-----------------------|-------|---------------------|
| Operating voltage | U_B | max. 250 V AC/DC |
| Operating current | I_B | max. 4 A |
| Surge protection | | Category II |
| Insulation resistance | | min. 100 M Ω |

Conformity

| | | |
|----------------------|--|-------------------------------------|
| Degree of protection | | EN 60529 |
| Plug connection | | connector M12 x 1 : IEC 61076-2-101 |

Approvals and certificates

| | | |
|---------------------------------------|--|----------|
| UL approval | | |
| Maximum permissible operating current | | max. 3 A |
| UL File Number | | E363587 |

Ambient conditions

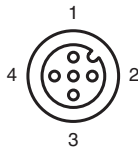
| | | |
|---------------------|--|--------------------------------|
| Ambient temperature | | -40 ... 85 °C (-40 ... 185 °F) |
|---------------------|--|--------------------------------|

Release date: 2024-12-05 Date of issue: 2024-12-05 Filename: 193687_eng.pdf

Technical Data

| | |
|----------------------------------|---|
| Pollution degree | 3 |
| Mechanical specifications | |
| Plug connector | |
| Tightening torque | 0.6 Nm |
| Tool installation | straight knurling , hexagon nut SW = 18 mm |
| Mating cycles | min. 500 |
| Degree of protection | IP67 |
| Connection | screw terminals for max. 0.75 mm ² / AWG 18 |
| Cable | |
| Sheath diameter | 2 x 2.1 ... 3 mm or 2 x 4 ... 5 mm |
| Core cross section | 0.75 mm ² / 18 AWG max. |
| Installation | screw terminals 0.4 Nm pressure nut 1.25 Nm body 1 Nm |
| Mass | 31 g |
| Material | |
| Plug connector | |
| Screw connection | Zinc diecast, nickel-plated |
| Body | PA |
| Contact surface | CuSnZn |

Connection Assignment



Connection

