

WCS interface module

WCS-IS310

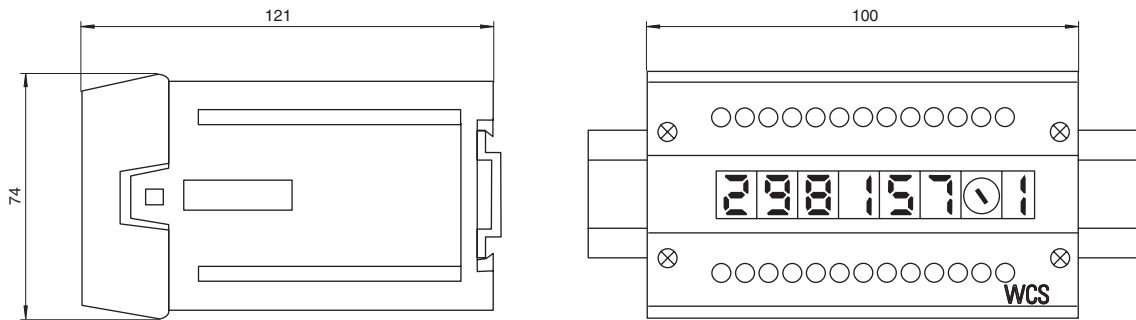


- Integrated display
- Long possible cable length between reading head and SSI master
- DIN rail mounting

WCS SSI interface module



Dimensions



Technical Data

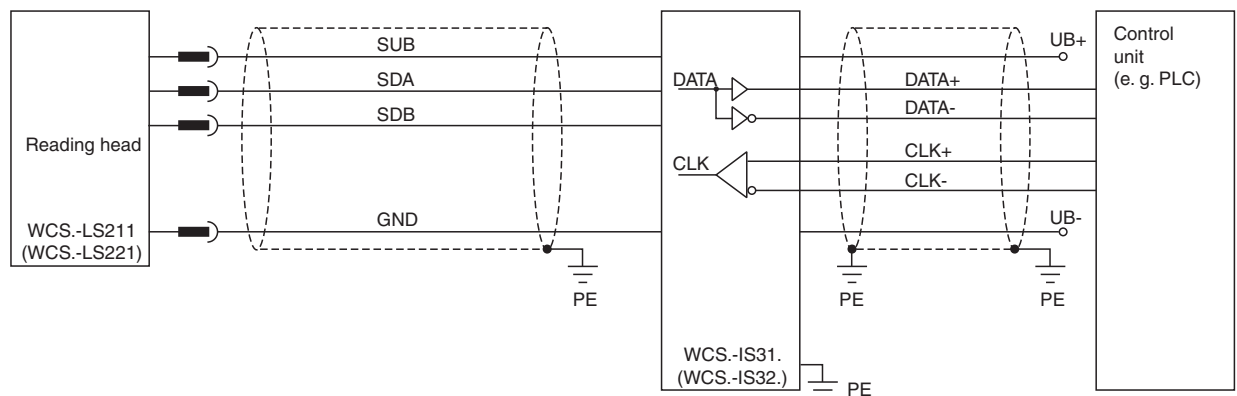
General specifications			
Installation	DIN rail mounting		
Electrical specifications			
Operating voltage	U _B	24 V DC ± 20 %	
Power consumption	P ₀	≤ 2 W (without read heads)	
Interface 1			
Connection of	control system		
Interface type	SSI		
Transfer rate	max. 500 kHz		
Data output format	binary code		
Bus termination resistor	integrated		
Interface 2			
Connection of	Read head		
Connectable read heads	WCS-LS211		
Interface type	RS-485		
Transmission method	half duplex		
Transfer rate	max. 187.5 kBit/s		

Release date: 2022-10-20 Date of issue: 2022-10-20 Filename: 193852_eng.pdf

Technical Data

RS485 termination resistor	integrated
Refresh cycle of read head	1 ms
Standard conformity	
Emitted interference	EN 55011
Noise immunity	DIN EN 50082-2
Ambient conditions	
Operating temperature	0 ... 55 °C (32 ... 131 °F)
Storage temperature	-40 ... 70 °C (-40 ... 158 °F)
Relative humidity	≤ 80 %
Mechanical specifications	
Connection type	removable terminal block
Housing width	100 mm
Housing height	74 mm
Housing depth	121 mm
Degree of protection	IP20
Material	plastic
Installation position	any position
Mass	approx. 350 g

Connection



Connection

Terminal connection

Terminal	Designation
UB+	Power supply interface module
GND	Ground interface module
SUB	Operating voltage read head
SDA	RS 485 + data line to the read head
SDB	RS 485 -data line to the read head
GND	Ground read head
DATA+	Data +
DATA-	Data -
CLK+	Clock +
CLK-	Clock -
PE	Protective earth

Connection WCS* - read head

Terminal pin read head			Terminal interface module
WCS2A/WCS2B	WCS3A	WCS3B	
2	1	1	SUB
4	2	2	SDA
1	3	4	SDB
3	5	3	GND