

WCS interface module

WCS-IS311

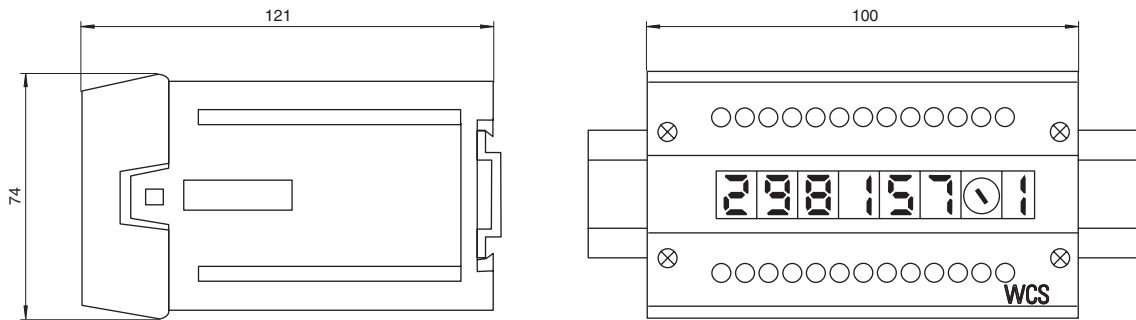


- Integrated display
- Long possible cable length between reading head and SSI master
- DIN rail mounting

WCS SSI interface module



Dimensions



Technical Data

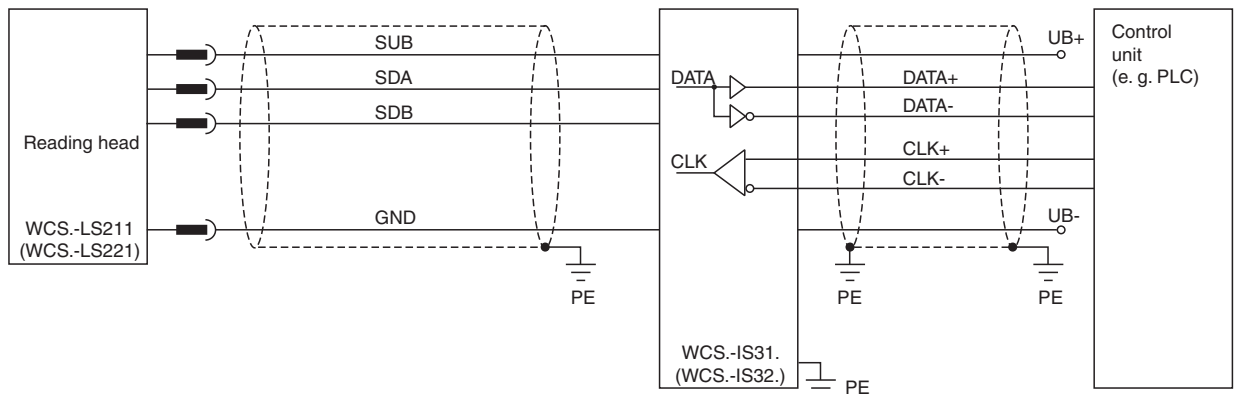
General specifications		
Installation	DIN rail mounting	
Electrical specifications		
Operating voltage	U_B	24 V DC \pm 20 %
Power consumption	P_0	\leq 2 W (without read heads)
Interface 1		
Connection of	control system	
Interface type	SSI	
Transfer rate	max. 500 kHz	
Data output format	Gray code	
Bus termination resistor	integrated	
Interface 2		
Connection of	Read head	
Connectable read heads	WCS-LS211	
Interface type	RS-485	
Transmission method	half duplex	
Transfer rate	max. 187.5 kBit/s	

Release date: 2022-10-20 Date of issue: 2022-10-20 Filename: 193853_eng.pdf

Technical Data

RS485 termination resistor	integrated
Refresh cycle of read head	1 ms
Standard conformity	
Emitted interference	EN 55011
Noise immunity	DIN EN 50082-2
Ambient conditions	
Operating temperature	0 ... 55 °C (32 ... 131 °F)
Storage temperature	-40 ... 70 °C (-40 ... 158 °F)
Relative humidity	≤ 80 %
Mechanical specifications	
Connection type	removable terminal block
Housing width	100 mm
Housing height	74 mm
Housing depth	121 mm
Degree of protection	IP20
Material	plastic
Installation position	any position
Mass	approx. 350 g

Connection



Release date: 2022-10-20 Date of issue: 2022-10-20 Filename: 193853_eng.pdf

Connection

Terminal connection

Terminal	Designation
UB+	Power supply interface module
GND	Ground interface module
SUB	Operating voltage read head
SDA	RS 485 + data line to the read head
SDB	RS 485 -data line to the read head
GND	Ground read head
DATA+	Data +
DATA-	Data -
CLK+	Clock +
CLK-	Clock -
PE	Protective earth

Connection WCS* - read head

Terminal pin read head			Terminal interface module
WCS2A/WCS2B	WCS3A	WCS3B	
2	1	1	SUB
4	2	2	SDA
1	3	4	SDB
3	5	3	GND