



Distance sensor

VDM18-100/32/105/122

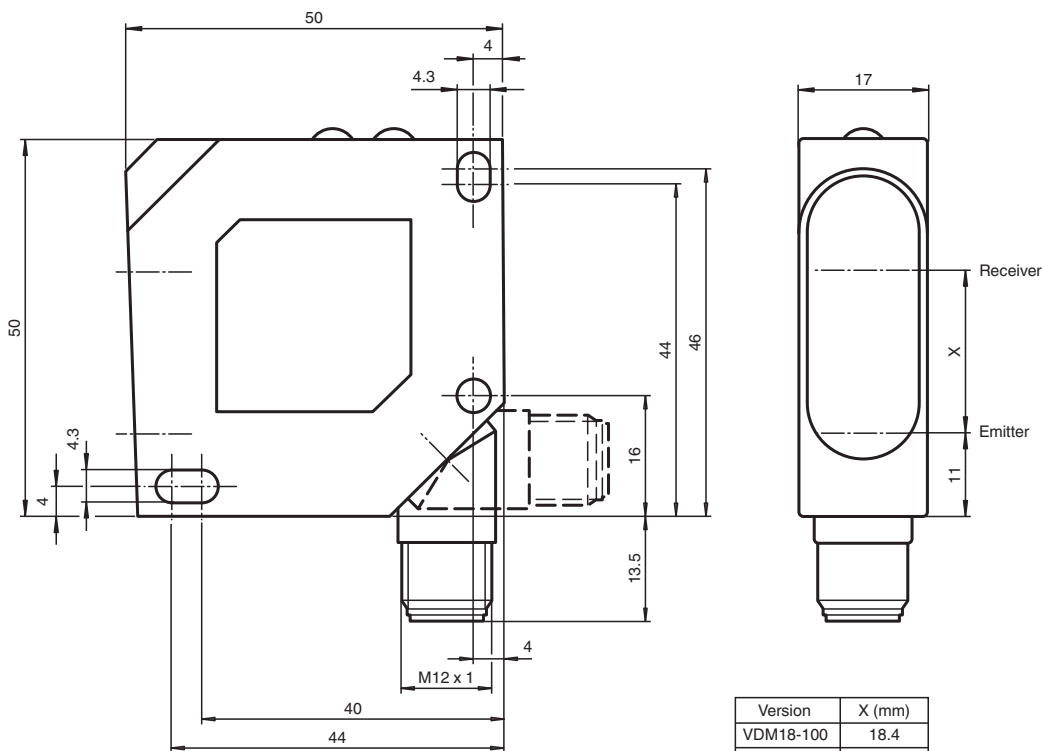


- Analog output 4 mA ... 20 mA
- High resolution
- Very fast response characteristic, suitable for rapid scanning process

Universal distance sensor, measurement to object, 100 mm detection range, red laser light, laser class 2, PNP output, analog output, control input, M12 plug



Dimensions



Technical Data

General specifications

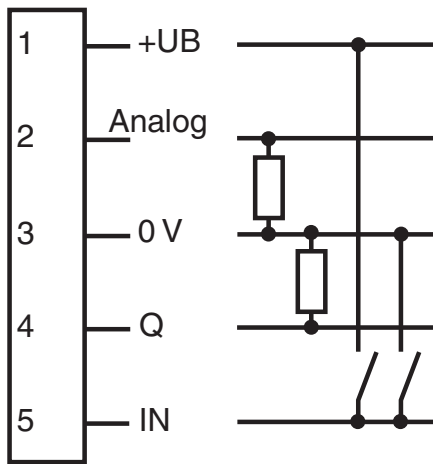
Measurement range	30 ... 100 mm
Light source	laser diode typ. service life 50,000 h at Ta = +40 °C
Light type	modulated visible red light

Release date: 2023-09-05 Date of issue: 2023-09-05 Filename: 193919_eng.pdf

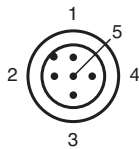
Technical Data

Laser nominal ratings		
Note		LASER LIGHT , DO NOT STARE INTO BEAM
Laser class		2
Wave length		650 nm
Light spot representation		approx. 1.5 mm x 3.25 mm at 100 mm
Measuring method		Laser triangulation
Ambient light limit		≤ 5000 Lux
Nominal ratings		
Linearity error		0.25 % of the measuring range
Repeat accuracy	R	< 0.25 % of the measured value
Resolution		< 0.1 % of the measuring range
Temperature drift		< 0.02 % / °C
Indicators/operating means		
Operation indicator		LED green
Function indicator		2 yellow LEDs: Switching status (each output) , 4 green LEDs: Operating mode
Control elements		Control panel : Adjuster for switch point , Operating mode , Analog output (S - Set , T - Toggle)
Parameterization indicator		LED red
Electrical specifications		
Operating voltage	U_B	18 ... 30 V DC
No-load supply current	I_0	≤ 40 mA at 24 V DC
Protection class		II , rated voltage ≤ 50 V DC
Time delay before availability	t_v	≤ 300 ms
Input		
Control input		Laser off (HIGH +UB) , Keypad lock (LOW 0 V)
Output		
Signal output		1 PNP output, short-circuit protected, reverse polarity protected, open collector
Switching current		max. 100 mA
Measurement output		1 analog output 4 ... 20 mA, short-circuit/overload protected , $R_{max} = 500 \text{ Ohm}$
Switching frequency	f	≤ 1 kHz
Response time		0.4 ms
Compliance with standards and directives		
Directive conformity		
EMC Directive 2004/108/EC		EN 60947-5-2
Standard conformity		
Laser class		DIN EN 60825-1:2008, IEC 60825-1:2007
Approvals and certificates		
UL approval		cULus Listed
Approvals		CE, cULus
Ambient conditions		
Ambient temperature		-10 ... 60 °C (14 ... 140 °F)
Storage temperature		-20 ... 80 °C (-4 ... 176 °F)
Mechanical specifications		
Housing width		17 mm
Housing height		50 mm
Housing depth		50 mm
Degree of protection		IP67
Connection		5-pin, M12 x 1 plastic connector
Material		
Housing		ABS , impact resistant
Optical face		PMMA
Mass		approx. 43 g

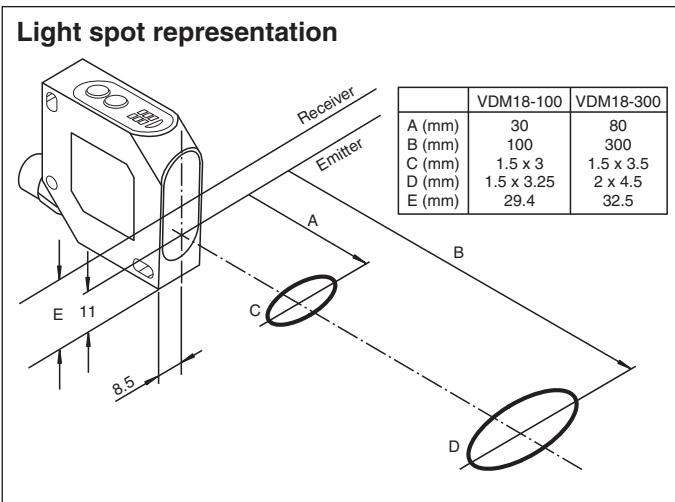
Connection Assignment



Connection Assignment



Characteristic Curve



Release date: 2023-09-05 Date of issue: 2023-09-05 Filename: 193919_eng.pdf

Safety Information



Safety Information

Laser Class 2 Information

The irradiation can lead to irritation especially in a dark environment. Do not point at people!



Caution: Do not look into the beam!

Maintenance and repairs should only be carried out by authorized service personnel!

Attach the device so that the warning is clearly visible and readable.

Caution – Use of controls or adjustments or performance of procedures other than those specified herein may result in hazardous radiation exposure.

Accessories

	OMH-VDM18-01	Mounting accessory, distance measuring devices Series VDM18
	OMH-VDM18-02	Mounting accessory, distance measuring devices Series VDM18