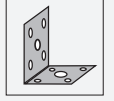


Accessories

TopScan-S Profile L1400

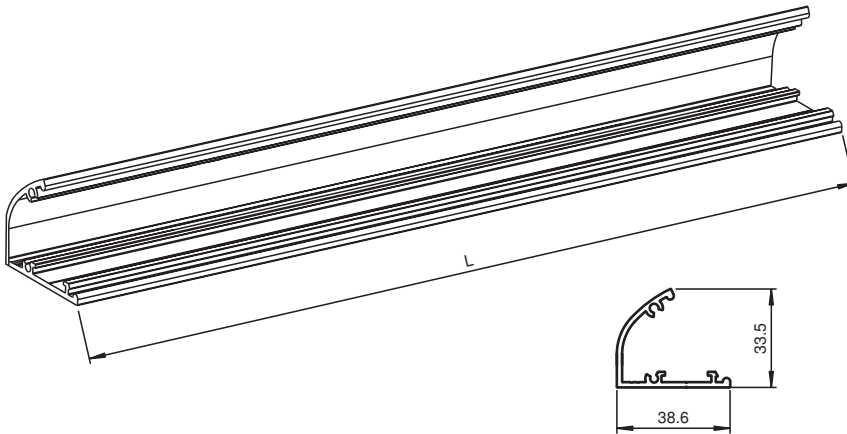
- Aluminum profile for TopScan-S Series
- Length 1400 mm



Housing profile TopScan-S



Dimensions



Technical Data

Ambient conditions

Ambient temperature -10 ... 50 °C (14 ... 122 °F)

Mechanical specifications

Material aluminum

Suitable series

Series TopScan-S