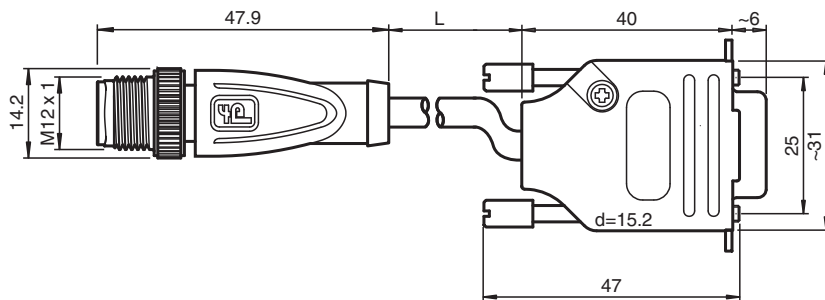


Connection cable V1S-G-2M-PUR-SUBD9

- Knurled nut suitable for tool assembly
- Immunity to vibration, with mechanical latching
- Gold-plated and machined contacts
- Halogen-free

Cable connector, M12, 4-pin, PUR cable on Sub-D female connector, 9-pin

Dimensions



Technical Data

General specifications			
Number of pins			3
Construction type			M12 connector, straight 9-pin Sub-D socket
Electrical specifications			
Operating voltage	U_B		max. 60 V DC
Operating current	I_B		max. 4 A
Ambient conditions			
Ambient temperature			-40 ... 90 °C (-40 ... 194 °F) cable, fixed: -40 ... 80 °C (-40 ... 176 °F) cable, flexing: -20 ... 80 °C (-4 ... 176 °F)
Pollution degree			3
Mechanical specifications			
Connection			1 x M12 connector, straight 1 x SUB-D socket
Material			
Contacts			CuSn / Au
Contact surface			Au
Body			TPU, green

Release date: 2021-08-20 Date of issue: 2021-08-20 Filename: 194584_eng.pdf

Technical Data

Cable	PUR	
Sleeve connector	Diecast zinc	
Core insulation	PP	
Cable	fine-strand, flexible	
Sheath diameter	Ø 4.8 mm	
Bending radius	> 10 x cable diameter, moving	
Color	grey	
Cores	4 x 0.34 mm ²	
Conductor construction	19 x 0.15 mm Ø	
Length	L	2 m
Flammability		
Contact carrier	94 HB	
Housing	94 V-2	

Connection Assignment

