



## Power supply K24-STR-24..30VDC-10A

- 8 ... 10 A output load
- 230/115 V AC supply voltage
- Sustained short-circuit proof, overload-proof and open-circuit proof
- 24 ... 30 V DC output voltage, can be regulated
- LED operating display
- LED output overload indicator
- SELV
- Suitable for AS-Interface power supply in gateway-integrated data decoupling

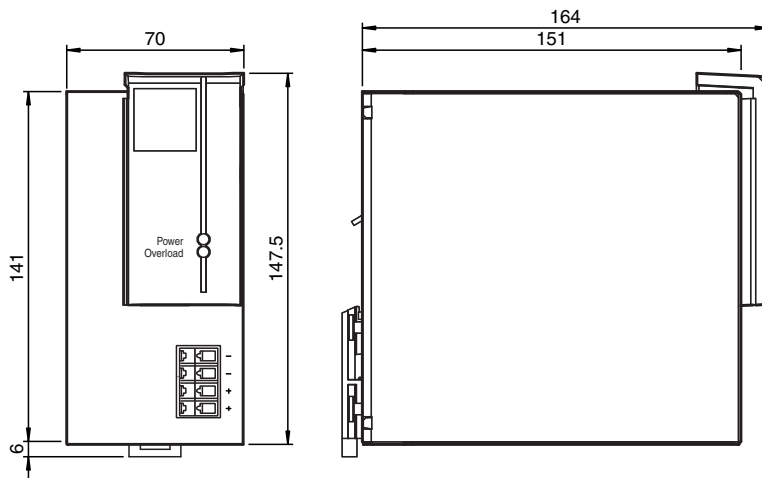
Power supply, 24 to 30 V DC, 10 A



### Function

The slim-line power pack provides a direct voltage in an even larger adjustable output voltage range of 23 ... 30 V DC, while optimizing the space available in the control cabinet.  
The current limit can be adjusted via an internal potentiometer. In addition to an LED showing the operational status (power), a red LED (overload) signals overloads on the output side.  
The connecting leads on the input side are safely covered with the plastic cover after installation. The device features a convenient DIN rail fastening.

### Dimensions



### Technical Data

#### General specifications

UL File Number E223176

#### Indicators/operating means

LED Overload Red LED  
lights up for overload, flashes for hiccup mode

LED PWR LED green

Potentiometer Top: Output current limitation (covered by a dummy plug)  
Bottom: Output voltage adjustment

#### Electrical specifications

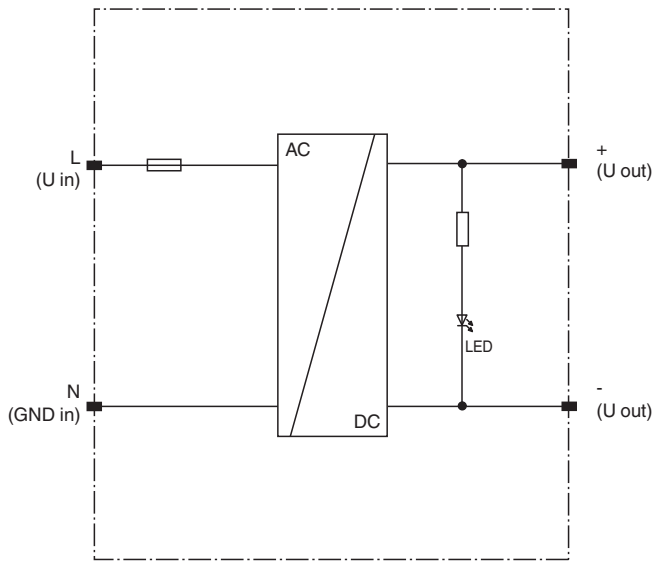
Fusing 6.3 AT

Capacity factor approx. 0.6 (Depending on input voltage)

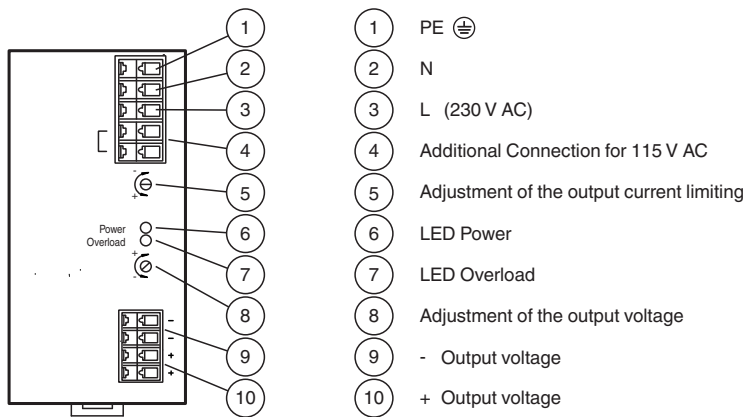
## Technical Data

|                                  |       |                                                                                                                                                                                                                                                                                                                                                                                                                                                      |
|----------------------------------|-------|------------------------------------------------------------------------------------------------------------------------------------------------------------------------------------------------------------------------------------------------------------------------------------------------------------------------------------------------------------------------------------------------------------------------------------------------------|
| Rated operating voltage          | $U_e$ | 115/230 V AC (for 115 V range, jumper)<br>Range: 93 to 132 V AC/187 to 265 V AC                                                                                                                                                                                                                                                                                                                                                                      |
| Rated operating current          | $I_e$ | 4.0 A (115 V)<br>1.9 A (230 V)                                                                                                                                                                                                                                                                                                                                                                                                                       |
| Supply frequency                 |       | 47 ... 63 Hz                                                                                                                                                                                                                                                                                                                                                                                                                                         |
| Efficiency                       |       | approx. 89 %                                                                                                                                                                                                                                                                                                                                                                                                                                         |
| <b>Output</b>                    |       |                                                                                                                                                                                                                                                                                                                                                                                                                                                      |
| Current limit                    |       | approx. 12 A                                                                                                                                                                                                                                                                                                                                                                                                                                         |
| Voltage                          |       | 30 V $\pm$ 1 %<br>Adjustment range 22.5 ... 29.5 V AC                                                                                                                                                                                                                                                                                                                                                                                                |
| Current                          |       | 0 ... 10 A                                                                                                                                                                                                                                                                                                                                                                                                                                           |
| <b>Directive conformity</b>      |       |                                                                                                                                                                                                                                                                                                                                                                                                                                                      |
| Electromagnetic compatibility    |       |                                                                                                                                                                                                                                                                                                                                                                                                                                                      |
| Directive 2014/30/EU             |       | EN 55011, EN 61000-6-1, EN 61000-6-2, EN 61000-6-3, EN 61000-6-4, EN 61000-3-2 class A, EN 61000-3-3, EN 61010-1                                                                                                                                                                                                                                                                                                                                     |
| Low voltage                      |       |                                                                                                                                                                                                                                                                                                                                                                                                                                                      |
| Directive 2014/35/EU             |       | EN 61010-1:2010                                                                                                                                                                                                                                                                                                                                                                                                                                      |
| <b>Conformity</b>                |       |                                                                                                                                                                                                                                                                                                                                                                                                                                                      |
| Degree of protection             |       | IEC 60529:2001                                                                                                                                                                                                                                                                                                                                                                                                                                       |
| <b>Standard conformity</b>       |       |                                                                                                                                                                                                                                                                                                                                                                                                                                                      |
| Electromagnetic compatibility    |       | EN 55011, EN 61000-6-1, EN 61000-6-2                                                                                                                                                                                                                                                                                                                                                                                                                 |
| Standards                        |       | Harmonic waves: EN 61000-3-2 Class A<br>Interference suppression: EN 55022, EN 55011 Class B<br>Electrostatic discharge (ESD): IEC 61000-4-2 (8 kV contact discharge, 15 kV air discharge)<br>Electromagnetic fields: IEC 61000-4-3 (10 V/m)<br>Burst: IEC 61000-4-4 (4 kV input, 2 kV output/capacitively coupled)<br>Surge: IEC 61000-4-5 (4 kV asymmetrical, 4 kV symmetrical)<br>Conducted interference: IEC 61000-4-6 (10 V, 150 kHz to 80 MHz) |
| <b>Ambient conditions</b>        |       |                                                                                                                                                                                                                                                                                                                                                                                                                                                      |
| Ambient temperature              |       | -10 ... 70 °C (14 ... 158 °F) with free convection                                                                                                                                                                                                                                                                                                                                                                                                   |
| Storage temperature              |       | -25 ... 85 °C (-13 ... 185 °F)                                                                                                                                                                                                                                                                                                                                                                                                                       |
| <b>Mechanical specifications</b> |       |                                                                                                                                                                                                                                                                                                                                                                                                                                                      |
| Housing length                   |       | 140 mm                                                                                                                                                                                                                                                                                                                                                                                                                                               |
| Housing width                    |       | 70 mm                                                                                                                                                                                                                                                                                                                                                                                                                                                |
| Housing height                   |       | 132.5 mm                                                                                                                                                                                                                                                                                                                                                                                                                                             |
| Degree of protection             |       | IP20                                                                                                                                                                                                                                                                                                                                                                                                                                                 |
| Protection class                 |       | I, Protective conductor connection necessary                                                                                                                                                                                                                                                                                                                                                                                                         |
| Connection                       |       | Connection terminals, max. conductor cross-section<br>0.5 to 2.5 mm <sup>2</sup><br>Stripping length 5 to 6 mm                                                                                                                                                                                                                                                                                                                                       |
| Mass                             |       | approx. 1200 g                                                                                                                                                                                                                                                                                                                                                                                                                                       |
| Mounting                         |       | DIN mounting rail                                                                                                                                                                                                                                                                                                                                                                                                                                    |

**Connection**



**Assembly**



**Mounting**

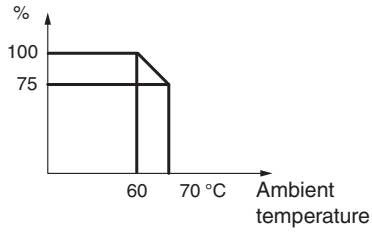
In order to ensure proper heat dissipation the power supply has to be mounted vertically in such a way, that the input terminals (L/N/PE) are located at the upper side and the output terminals (+/-) at the lower side of the front panel.  
 A minimum clearance of 100 mm beneath and above and 30 mm to the right and left of the power supply must be provided.  
 The inlet air temperature beneath the unit must not exceed the values specified in the technical specification.

Release date: 2023-11-21 Date of issue: 2023-11-21 Filename: 195762\_eng.pdf

**Characteristic Curve**

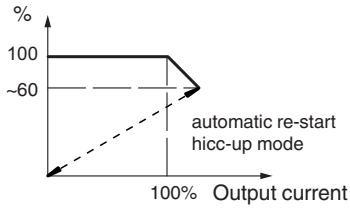
**Derating**

Output power



**Output characteristic**

Output voltage



Release date: 2023-11-21 Date of issue: 2023-11-21 Filename: 195762\_eng.pdf