

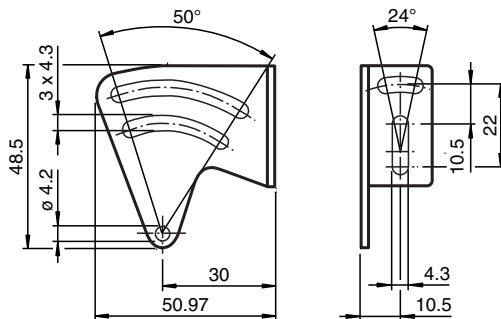
Mounting aid OMH-VDM18-01



Mounting accessory, distance measuring devices Series VDM18



Dimensions



Technical Data

Mechanical specifications

Material	Stainless steel
Mass	approx. 24 g
Mounting	Mounting accessories included
Suitable series	
Series	VDM18

Release date: 2020-03-23 Date of issue: 2020-06-29 Filename: 196145_eng.pdf