



## Stack light LED permanent light element

### VAZ-LED-70MM-BU

- Modular design
- Flexible combination of signal elements
- Bayonet system for simple mounting and dismounting
- Long lifetime
- 70-mm-series

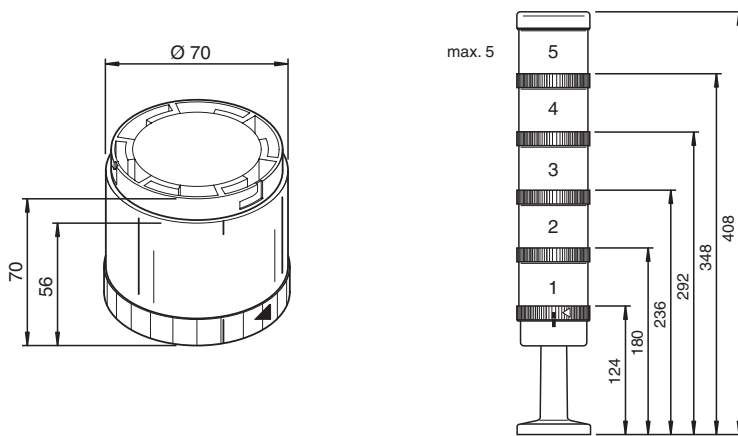
Stack light LED permanent light element, blue



### Function

The LED permanent light element converts electrical signals to optical signals. The light element is available in various colours and the bayonet type connector allows easy installation on the corresponding terminal. The modular design permits user-defined combinations and reduces operation costs and storage costs. The illuminant based on LED technology is integrated in the spherical cap and features an excellent illumination, good resistance against shock and vibration as well as a long service life, which also means good MTBF figures (Mean Time Between Failures).

### Dimensions



### Technical Data




General specifications	
UL File Number	E223176
Color	blue
Functional safety related parameters	
MTTF <sub>d</sub>	8700 a
Electrical specifications	
Rated operating voltage	U <sub>e</sub> 24 V AC/DC
Rated operating current	I <sub>e</sub> ≤ 25 mA at 24 V DC 30 mA at 30.5 V (AS-Interface)
Protection class	III
Directive conformity	
Electromagnetic compatibility	

Release date: 2023-09-26 Date of issue: 2023-09-26 Filename: 196236\_eng.pdf

## Technical Data

Directive 2014/30/EU	EN 60947-5-1 EN 60947-1
<b>Standard conformity</b>	
Degree of protection	EN 60529
<b>Ambient conditions</b>	
Ambient temperature	-20 ... 50 °C (-4 ... 122 °F)
<b>Mechanical specifications</b>	
Degree of protection	IP65
Connection	Bayonet system
Life span	Max. 50,000 hours = 5.7 years (continuous operation)

## Matching System Components

	<b>VAZ-CLAMP-70MM</b>	Stack light terminal base with cover plate
	<b>VAZ-CLAMP-70MM-90°</b>	Stack light terminal base with cover plate
	<b>VAZ-70MM-IO</b>	Signal tower connection element IO-Link with cover