



Stack light LED permanent light element

VAZ-LED-70MM-CL

- Modular design
- Flexible combination of signal elements
- Bayonet system for simple mounting and dismounting
- Long lifetime
- 70-mm-series

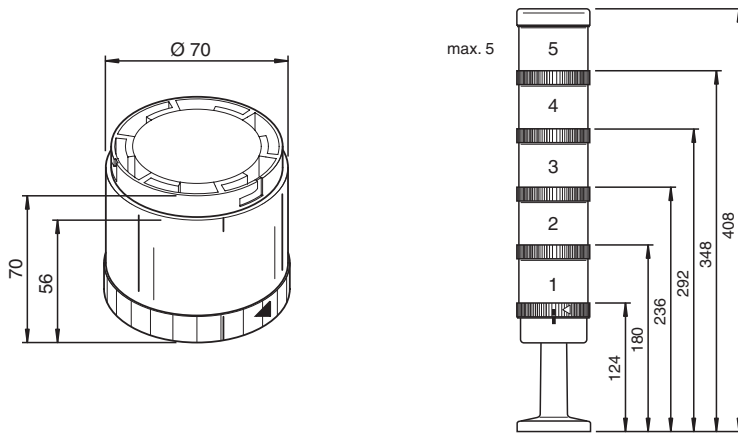
Stack light LED permanent light element, clear



Function

The LED permanent light element converts electrical signals to optical signals. The light element is available in various colours and the bayonet type connector allows easy installation on the corresponding terminal. The modular design permits user-defined combinations and reduces operation costs and storage costs. The illuminant based on LED technology is integrated in the spherical cap and features an excellent illumination, good resistance against shock and vibration as well as a long service life, which also means good MTBF figures (Mean Time Between Failures).

Dimensions



Technical Data




General specifications	
UL File Number	E223176
Color	clear
Functional safety related parameters	
MTTF _d	8700 a
Electrical specifications	
Rated operating voltage	U _e 24 V AC/DC
Rated operating current	I _e ≤ 30 mA at 24 V DC 30 mA at 30.5 V (AS-Interface)
Protection class	III
Directive conformity	
Electromagnetic compatibility	

Release date: 2023-09-26 Date of issue: 2023-09-26 Filename: 196237_eng.pdf

Technical Data

Directive 2014/30/EU	EN 60947-5-1 EN 60947-1
Standard conformity	
Degree of protection	EN 60529
Ambient conditions	
Ambient temperature	-20 ... 50 °C (-4 ... 122 °F)
Mechanical specifications	
Degree of protection	IP65
Connection	Bayonet system
Life span	Max. 50,000 hours = 5.7 years (continuous operation)

Matching System Components

	VAZ-CLAMP-70MM	Stack light terminal base with cover plate
	VAZ-CLAMP-70MM-90°	Stack light terminal base with cover plate
	VAZ-70MM-IO	Signal tower connection element IO-Link with cover