

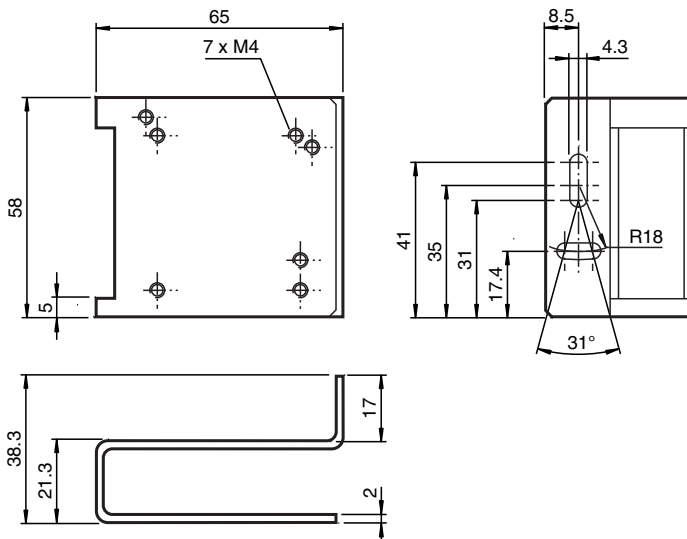
# Mounting aid OMH-VDM18-02



Mounting accessory, distance measuring devices Series VDM18



## Dimensions



## Technical Data

### Mechanical specifications

Material	Stainless steel
Mass	approx. 119 g
Mounting	Mounting accessories included
<b>Suitable series</b>	
Series	VDM18

Release date: 2020-03-23 Date of issue: 2020-06-29 Filename: 196312\_eng.pdf