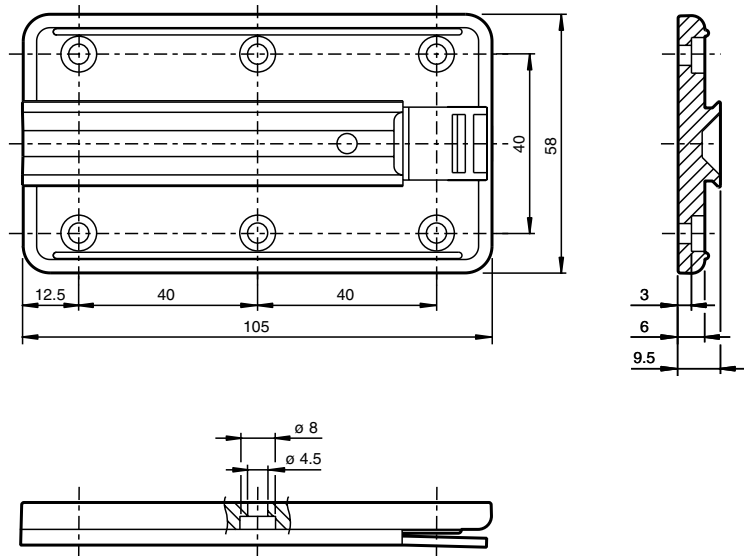




Dimensions



Model Number

WCS-MP1

Mounting plate for reading heads WCS2 and WCS3

Features

- Universal mounting plate for all reading heads WCS2... and WCS3...

Technical data

General specifications

| | |
|--------------|---|
| Installation | Mounting plate with dovetail guide for WCS-write heads. Mounted via M4 screws. |
|--------------|---|

Mechanical specifications

| | |
|----------|-------------------|
| Material | PA 6 GF35 Grivory |
| Mass | 35 g |