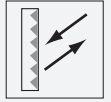


Reflector

REF-H100-2R

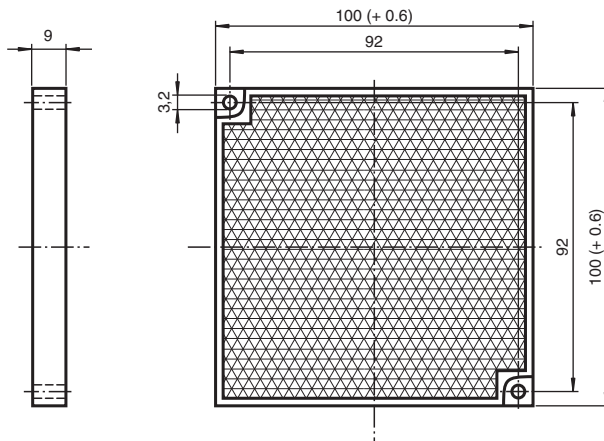


- Mounting holes for simple installation
- Two reflectors per packaged unit



Reflector, rectangular 100 mm x 100 mm, mounting holes

Dimensions



Technical Data

General specifications	
Construction type	rectangular
Ambient conditions	
Ambient temperature	-20 ... 60 °C (-4 ... 140 °F)
Mechanical specifications	
Material	PMMA
Dimensions	100 mm x 100 mm x 9 mm
Mounting	mounting holes

Release date: 2020-03-23 Date of issue: 2020-06-29 Filename: 197280_eng.pdf