

Accessories

TopScan-S Gasket IP54

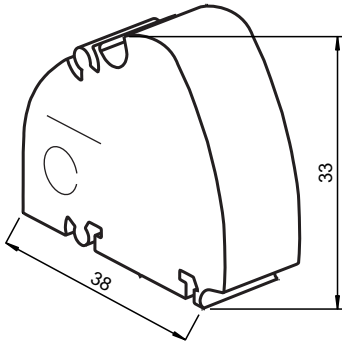


- Polyurethane foam seal for increased degree of protection to IP54
- Simple insertion into the TopScan-S profile section behind the cap

Housing seal TopScan-S



Dimensions



Technical Data

Ambient conditions

Ambient temperature -10 ... 50 °C (14 ... 122 °F)

Mechanical specifications

Material polyurethane foam

Mass approx. 0.4 g

General information

Packing unit 10

Suitable series

Series TopScan-S