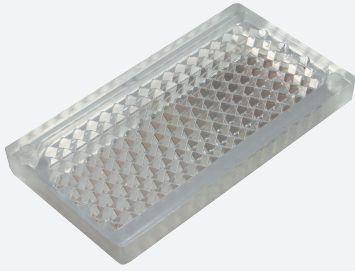
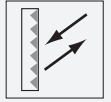


Reflector

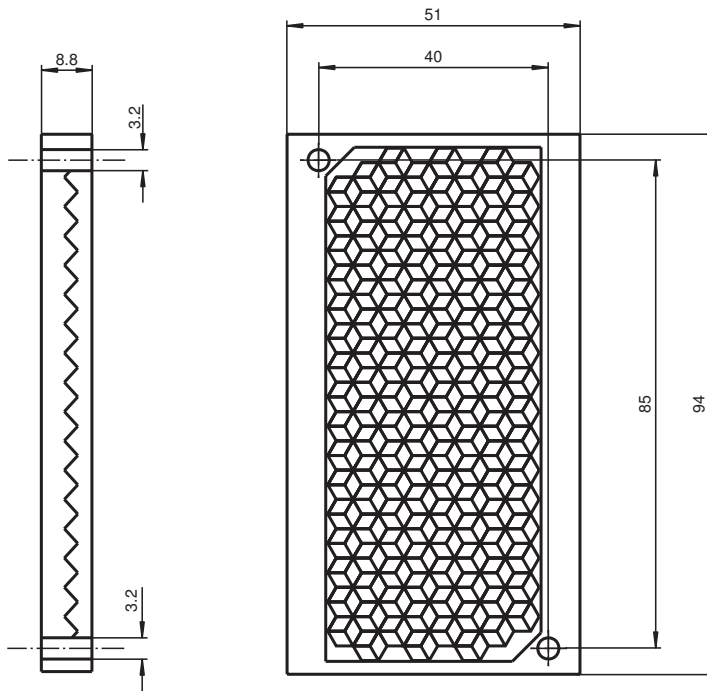
REF-H85HT



- Specially resistant to scratching and knocks
- High temperature rated to 500 °C

Reflector, rectangular 51 mm x 94 mm, mounting holes, high temperature resistant up to 500 °C

Dimensions



Technical Data

General specifications

Construction type rectangular

Ambient conditions

Ambient temperature -50 ... 500 °C (-58 ... 932 °F)

Mechanical specifications

Material Borosilicate glass

Dimensions 51 mm x 94 mm

Mounting mounting holes