

# Inductive sensor

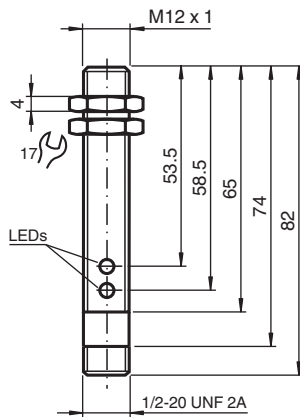
## NBB4-12GM65-US-V12



- 4 mm flush
- 2-wire AC/DC



### Dimensions



### Technical Data

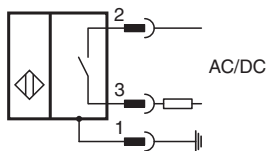
General specifications		
Switching function		Normally open (NO)
Output type		Two-wire
Rated operating distance	$s_n$	4 mm
Installation		flush
Output polarity		AC/DC
Reduction factor $r_{Al}$		0.5
Reduction factor $r_{Cu}$		0.45
Reduction factor $r_{304}$		0.75
Output type		2-wire
Nominal ratings		
Switching frequency	$f$	30 Hz
Hysteresis	$H$	3 ... 15 % typ. 5 %
Reverse polarity protection		reverse polarity tolerant
Short-circuit protection		yes
Voltage drop	$U_d$	$\leq 8$ V
Rated operating current	$I_e$	8 ... 200 mA AC/DC

Release date: 2025-06-05 Date of issue: 2025-06-05 Filename: 197867\_eng.pdf

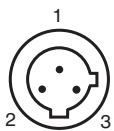
## Technical Data

Off-state current	$I_r$	$\leq 0.8 \text{ mA}$
Operating voltage indicator		LED, green
Switching state indicator		LED, yellow
<b>Electrical specifications</b>		
Rated operating voltage	$U_e$	20 ... 250 V AC/DC
<b>Compliance with standards and directives</b>		
Standard conformity		
Standards		EN IEC 60947-5-2
<b>Approvals and certificates</b>		
UL approval		cULus Listed, General Purpose
CSA approval		cCSAus Listed, General Purpose
CCC approval		Certified by China Compulsory Certification (CCC)
<b>Ambient conditions</b>		
Ambient temperature		-25 ... 70 °C (-13 ... 158 °F)
<b>Mechanical specifications</b>		
Connection type		Connector plug
Housing material		brass, nickel-plated
Sensing face		PBT
Degree of protection		IP67
Connector		
Threading		1/2"-20 UN
Number of pins		3
Mass		39 g
Dimensions		
Length		82 mm
Diameter		12 mm
<b>General information</b>		
Scope of delivery		2 self locking nuts in scope of delivery

## Connection



## Connection Assignment



### Wire colors

1	GN	(green)
2	RD/BK	(red/black)
3	RD/WH	(red/white)