

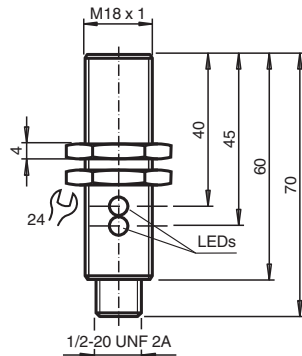
# Inductive sensor

## NBB8-18GM60-US-V12

- 8 mm flush
- 2-wire AC/DC



### Dimensions



### Technical Data

#### General specifications

Switching function		Normally open (NO)
Output type		Two-wire
Rated operating distance	$s_n$	8 mm
Installation		flush
Output polarity		AC/DC
Reduction factor $r_{Al}$		0.45
Reduction factor $r_{Cu}$		0.4
Reduction factor $r_{304}$		0.7
Output type		3-wire

#### Nominal ratings

Switching frequency	f	30 Hz
Hysteresis	H	3 ... 15 % typ. 5 %
Reverse polarity protection		reverse polarity tolerant
Short-circuit protection		yes
Voltage drop	$U_d$	$\leq 8$ V
Rated operating current	$I_e$	4 ... 300 mA AC/DC
Off-state current	$I_r$	$\leq 0.8$ mA
Operating voltage indicator		LED, green
Switching state indicator		LED, yellow

#### Electrical specifications

Rated operating voltage	$U_e$	20 ... 250 V AC/DC
-------------------------	-------	--------------------

#### Compliance with standards and directives

Standard conformity		
Standards		EN IEC 60947-5-2

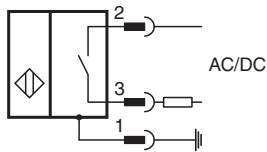
#### Approvals and certificates

Release date: 2025-06-05 Date of issue: 2025-06-05 Filename: 198078\_eng.pdf

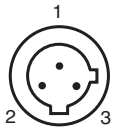
## Technical Data

UL approval	cULus Listed, General Purpose
CSA approval	cCSAus Listed, General Purpose
CCC approval	Certified by China Compulsory Certification (CCC)
<b>Ambient conditions</b>	
Ambient temperature	-25 ... 70 °C (-13 ... 158 °F)
Storage temperature	-40 ... 85 °C (-40 ... 185 °F)
<b>Mechanical specifications</b>	
Connection type	Connector plug
Housing material	brass, nickel-plated
Sensing face	PBT
Degree of protection	IP67
<b>Connector</b>	
Threading	1/2"-20 UN
Number of pins	3
Mass	64 g
<b>Dimensions</b>	
Length	70 mm
Diameter	18 mm

## Connection



## Connection Assignment



### Wire colors

1	GN	(green)
2	RD/BK	(red/black)
3	RD/WH	(red/white)